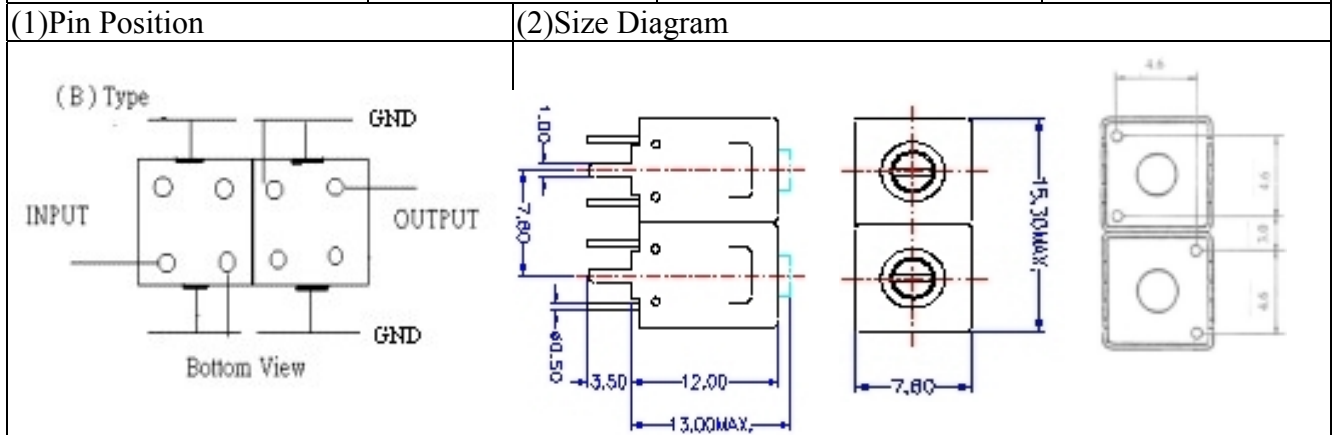


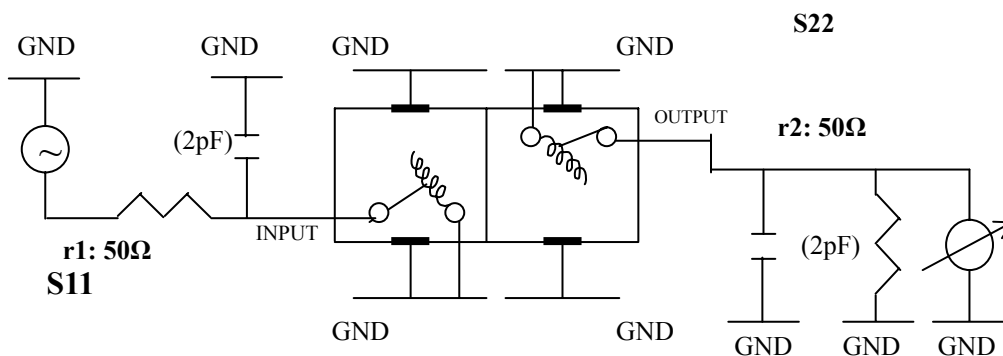
VHF UHF Helical Filter Specification Sheet

Customer Name		Temwell's Part No.	TD6711B3-506M
Approval No. /dated	0610040APR	Temwell's PrintName	6711B3 506M
Work Instruction No.	0610040B	Date	Oct.18.2006



(3) Electric Character	
Item	Specify
Center Freq.(Fo) +/- 0.5 %	506 MHz
Tunable Range	506±5 MHz
Insertion Loss	Typ. 2.5 dB
-1 dB Bandwidth	Typ. 10 MHz
-3 dB Bandwidth	Typ. 15 MHz
Sensitivity (Attenuation)	Fo - 40 MHz Typ. 28 dBc
	Fo + 40 MHz Typ. 21 dBc
	Fo - ()MHz Typ. dBc
	Fo +()MHz Typ. dBc
Return Loss	Min. 12 dB
Ripple	< 1 dB
Impedance	In / Out : 50 Ω
(4) Torque for Tuning Screw	> 100gf cm
(5) Temperature Condition:	
Operating Temperature	0 ~ +60
Storage Temperature	-20 ~ +70
(6) Input Power	> 1 Watt

(7) Measuring Circuit: Easy to match Impedance 50Ω by parallel with about (2) pF.



(Bottom View)

Approval	Supervisor	Designer	Aperture size
C.Y.Chang	C.S.Chang	P.H.Chiang	7H2(4*5.5)(5.59) 7H046RB4

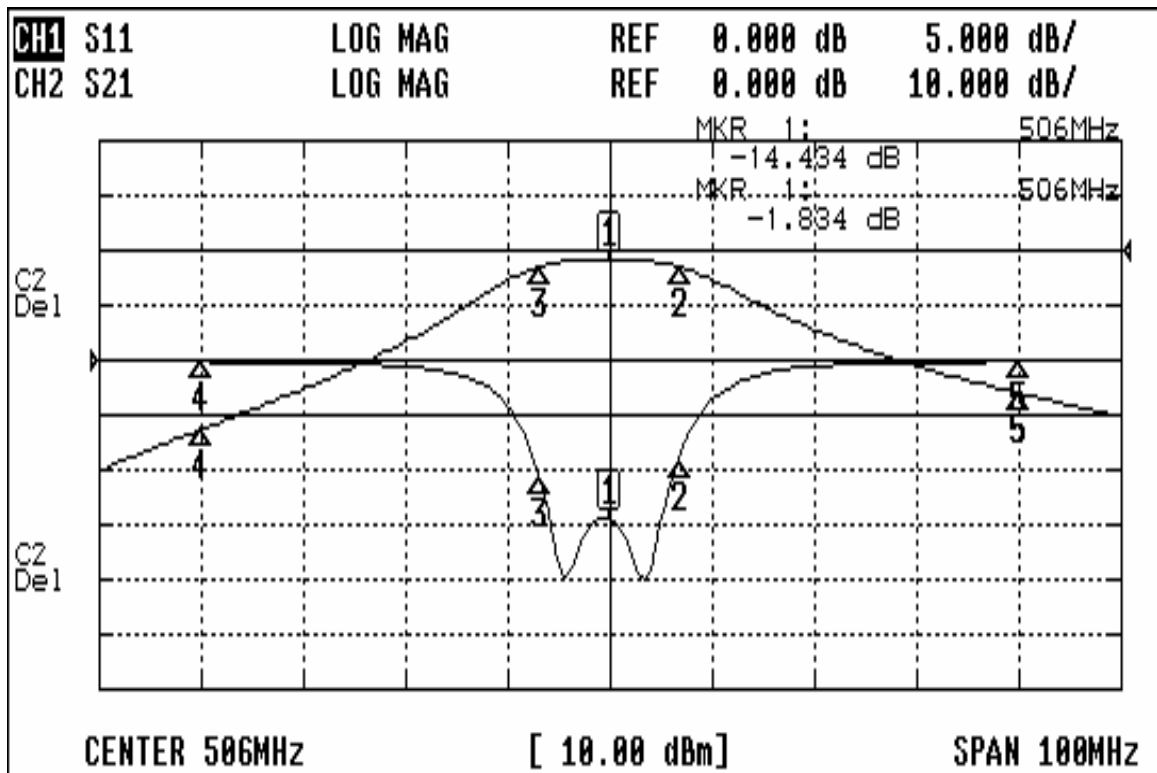
TEMWELL CORPORATION

TEMWELL

RP(P.H)

Performance-TD6711B3-506M

0610040B



CH1 MARKER LIST

1:	506.000MHz	-14.434 dB
2:	512.750MHz	-8.986 dB
3:	499.166MHz	-10.755 dB
4:	466.000MHz	-0.143 dB
5:	546.000MHz	-0.130 dB
6:		
7:		
8:		
9:		
10:		

CH2 MARKER LIST

1:	506.000MHz	-1.834 dB
2:	512.750MHz	-2.886 dB
3:	499.166MHz	-2.846 dB
4:	466.000MHz	-32.606 dB
5:	546.000MHz	-26.022 dB
6:		
7:		
8:		
9:		
10:		