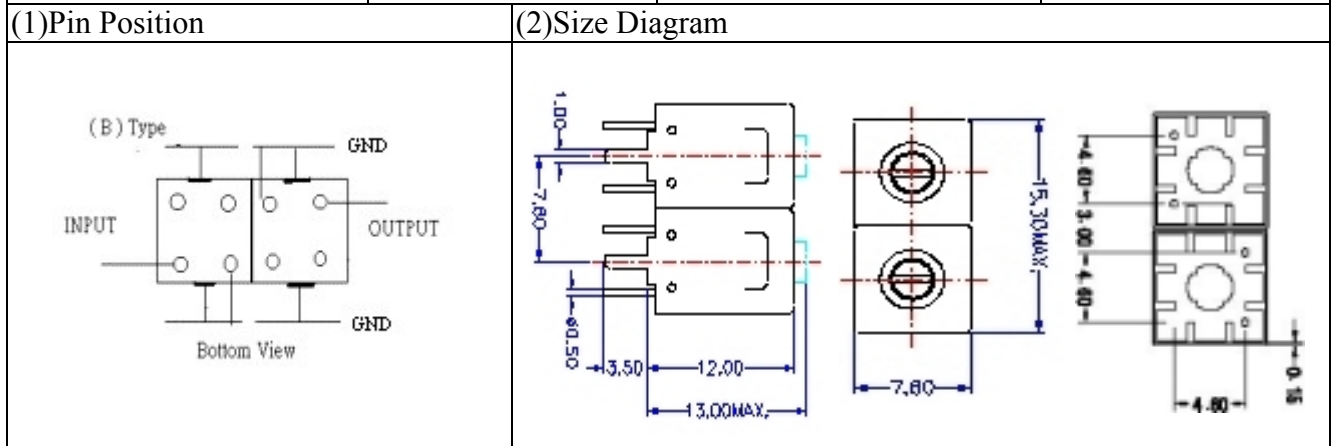


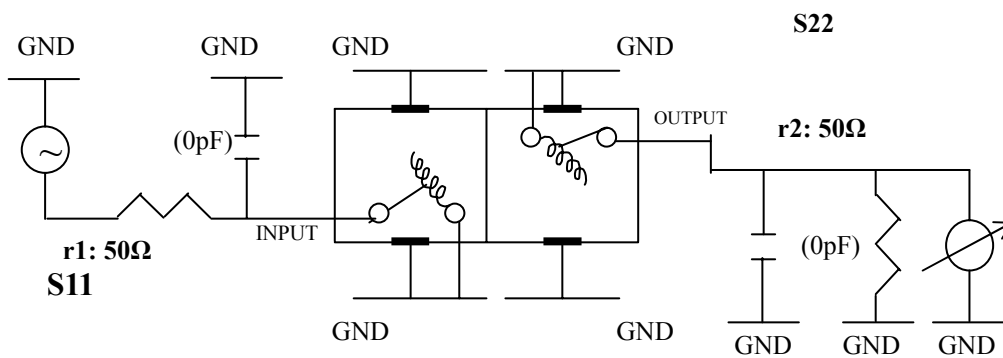
VHF UHF Helical Filter Specification Sheet

Customer Name		Temwell's Part No.	TD6711B3-500M
Approval No. /dated	0710090APR	Customer's Part No.	6711B3 500M
Work Instruction No.	0710090C	Date	Nov.6.2007



(3)Electric Charasteric	
Item	Specify
Center Freq.(Fo) +/- 0.5 %	500 MHz
Tunable Range:	500±5 MHz
Insertion Loss	Typ. 2.5 dB
-1 dB Bandwidth	Typ. 9 MHz
-3 dB Bandwidth	Typ. 12 MHz
Sensitivity (Attenuation)	Fo - 40.6 MHz Typ. 28 dBc
	Fo +40 MHz Typ. 21 dBc
	Fo - ()MHz Typ. dBc
	Fo +()MHz Typ. dBc
Return Loss	Min. 12 dB
Ripple	< 1 dB
Impedance	In / Out : 50 Ω
(4)Torque for Tuning Screw	> 100gf cm
(5)Temperature Condition:	
Operating Temperature	-0 ~ +60
Storage Temperature	-20 ~ +70
(6)Input Power	> 1Watt

(7)Measuring Circuit: Easy to match Impedance 50Ω by parallel with about (0) pF.



(Bottom View)

Approval C.Y.Chang	Supervisor C.S.Chang	Designer Y.H.Choan	Aperture size 7H2(4*5.5F) 7H046RB4
-----------------------	-------------------------	-----------------------	--

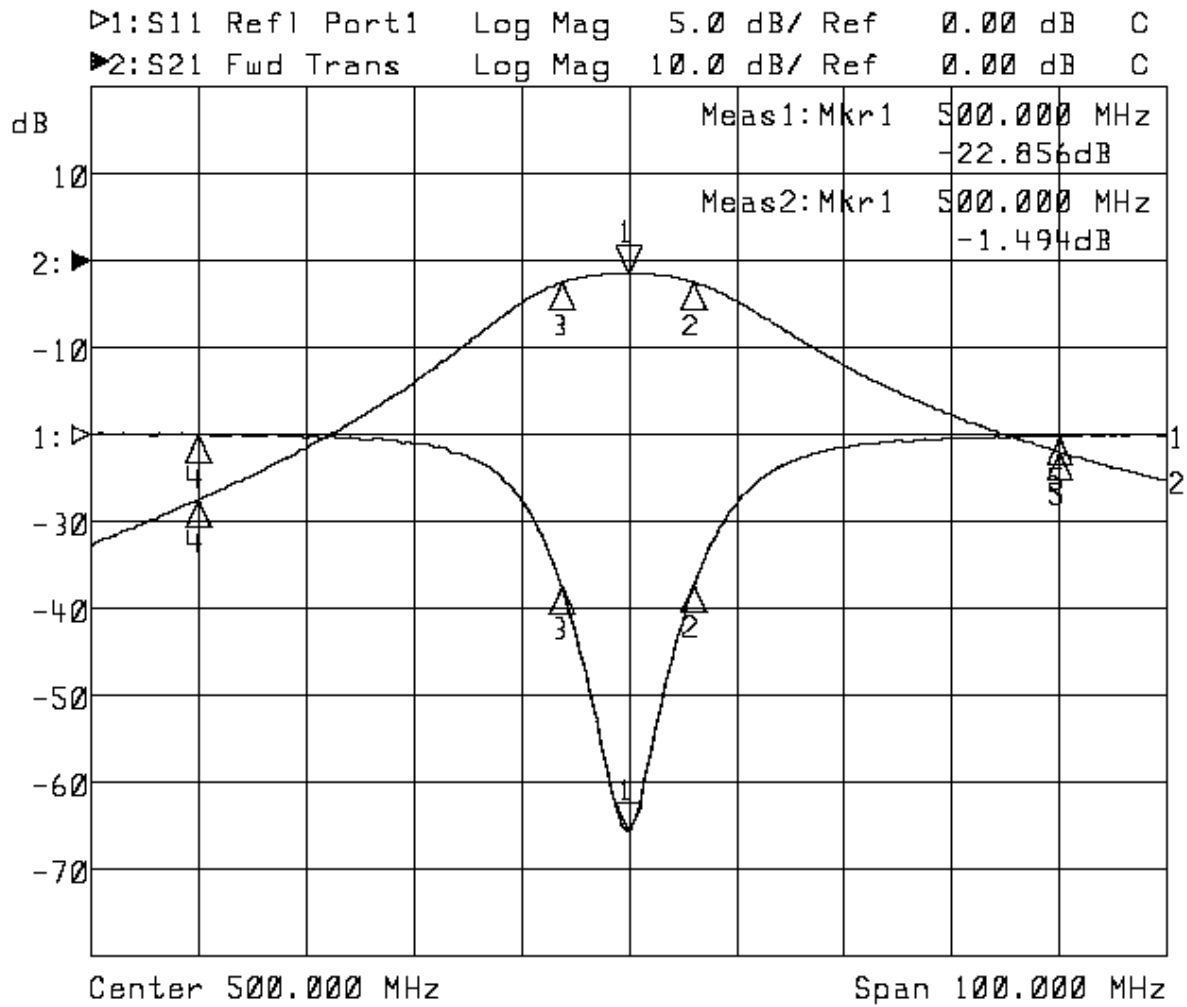
TEMWELL CORPORATION

TEMWELL

Form10-7H2B Vision D RP(Y.H.Choan)

Performance-TD6711B3-500M

0710090C



1: Mkr (MHz)	dB	2: Mkr (MHz)	dB
1> 500.0000	-22.856	1> 500.0000	-1.494
2: 506.0667	-8.657	2: 506.0667	-2.404
3: 493.7667	-8.689	3: 493.7667	-2.498
4: 460.0000	-0.051	4: 460.0000	-27.536
5: 540.0000	-0.087	5: 540.0000	-22.046