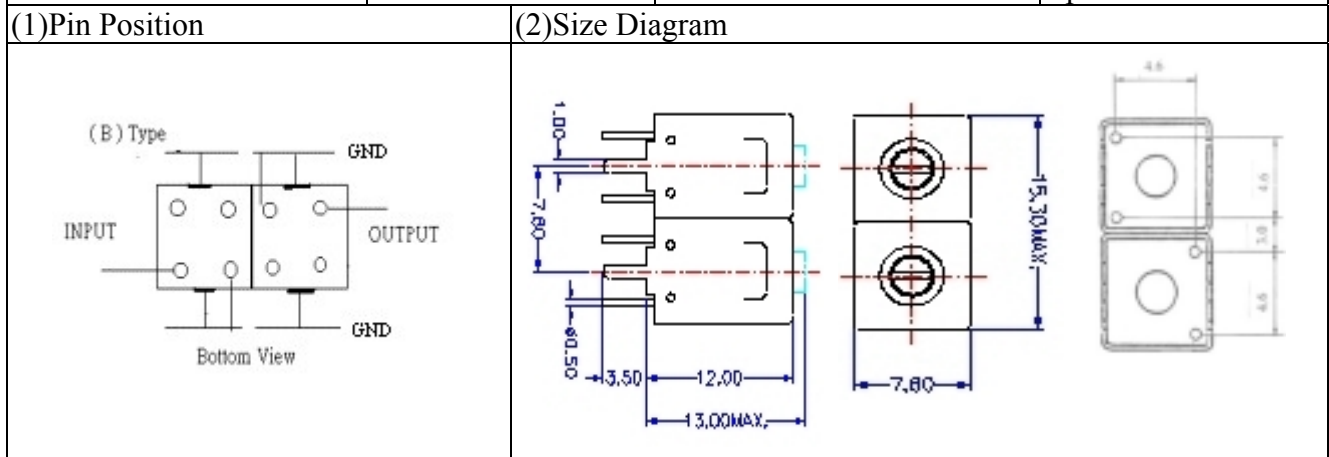


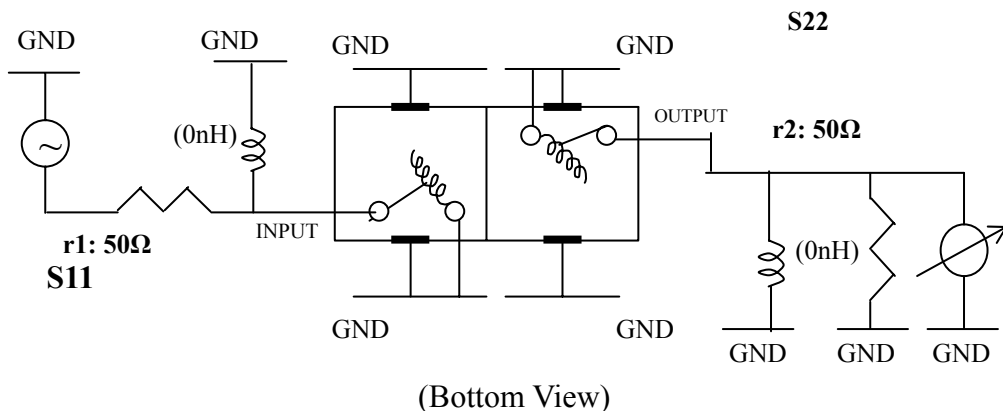
VHF UHF Helical Filter Specification Sheet

Customer Name		Temwell's Part No.	TD6711B2-500M
Approval No. /dated		Temwell,s print name	6711B2 500M
Work Instruction No.	0703162C	Date	Apr.27.2007



(3)Electric Charasteric	
Item	Specify
Center Freq.(Fo) +/- 0.5 %	500 MHz
Insertion Loss	Typ. 2.5 dB
-1 dB Bandwidth	Typ. 7 MHz
-3 dB Bandwidth	Typ. 14 MHz
Sensitivity (Attenuation)	Fo - 40 MHz Typ. 28 dB
	Fo + 40 MHz Typ. 21 dB
	Fo - ()MHz Typ. dB
	Fo +()MHz Typ. dB
Return Loss	Min. 12 dB
Ripple	< 1 dB
Impedance	In / Out : 50 Ω
(4)Torque for Tuning Screw	> 60gf cm
(5)Temperature Condition:	
Operating Temperature	-30 ~ +70
Storage Temperature	-30 ~ +80
(6)Input Power	> 1Watt

(7)Measuring Circuit: Easy to match Impedance 50Ωby parallel with about (0) nH.



Approval	Supervisor	Designer	Aperture size
C.Y.Chang	C.S.Chang	J.F.Lin	7H2(4*5.5F) (7H046RB4)

TEMWELL CORPORATION

TEMWELL

Form10-7H2B Vision D RP(J.F.Lin)

Performance-TD6711B2-500M

0703162C

