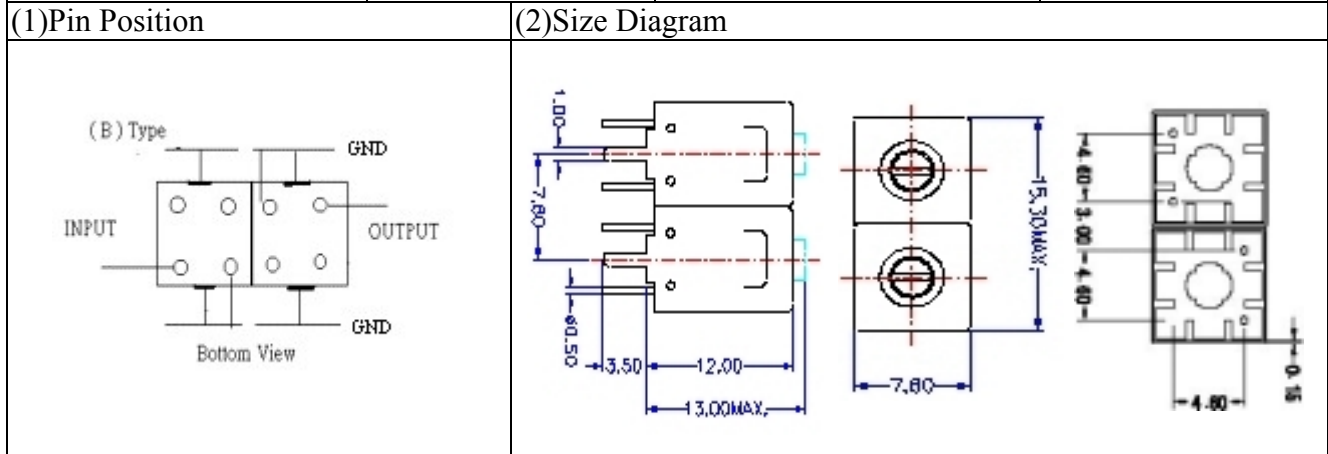


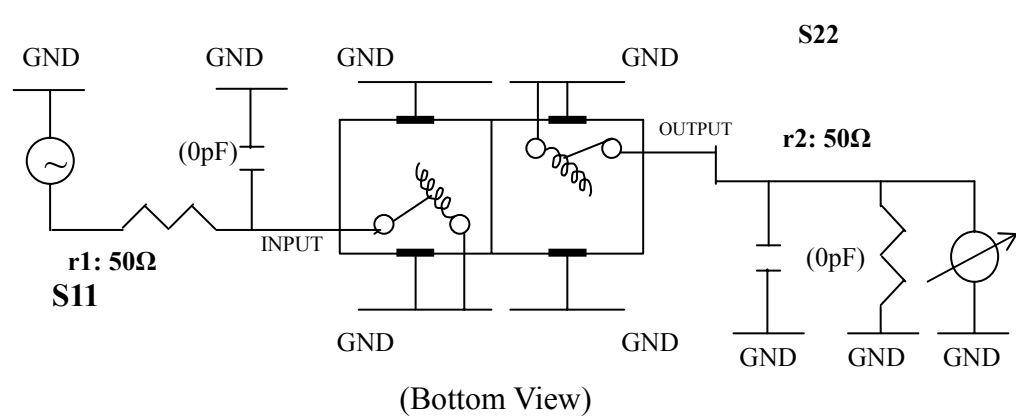
# VHF UHF Helical Filter Specification Sheet

Customer Name		Temwell's Part No.	TD6711B-445M
Approval No. /dated	0801076APR	Customer's Part No.	6711B 445M
Work Instruction No.	0801076CD	Date	Apr.16.2008



(3) Electric Characteristic	
Item	Specify
Center Freq.(Fo) +/- 0.5 %	445 MHz
Tunable Range:	445±5 MHz
Insertion Loss	Typ. 4.0 dB
-3 dB Bandwidth	Typ. 6 MHz
Sensitivity (Attenuation)	Fo - 40 MHz    Typ. 46 dBc
	Fo + 40 MHz    Typ. 30 dBc
	Fo - ( )MHz    Typ. dBc
	Fo +( )MHz    Typ. dBc
Return Loss	Min. 12 dB
Ripple	< 1 dB
Impedance	In / Out : 50 Ω
(4) Torque for Tuning Screw	
> 100gf cm	
(5) Temperature Condition:	
Operating Temperature	0 ~ +60
Storage Temperature	-20 ~ +70
(6) Input Power	
> 1Watt	

(7) Measuring Circuit: Easy to match Impedance S11/S22 50Ω by parallel with about (0)pF / (0)pF.



Approval	Supervisor	Designer	Aperture size
C.Y.Chang	C.S.Chang	Y.H.Yeh	7H2(4*5.35F)*(4.0B) 7H046RB4

TEMWELL CORPORATION

# Performance-TD6711B-445M

## 0801076CD

