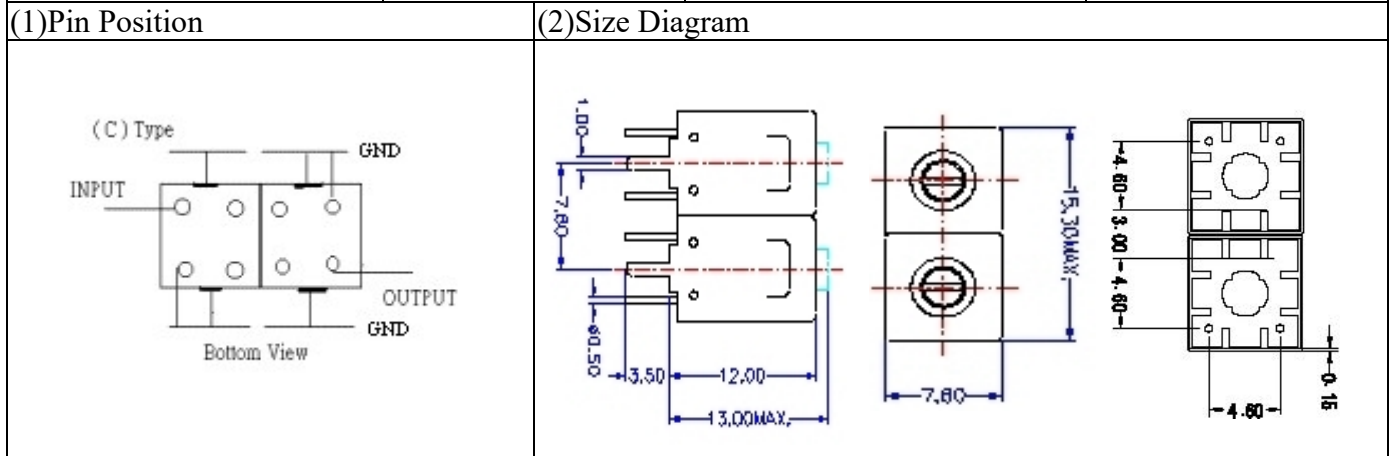


VHF UHF Helical Filter Specification Sheet

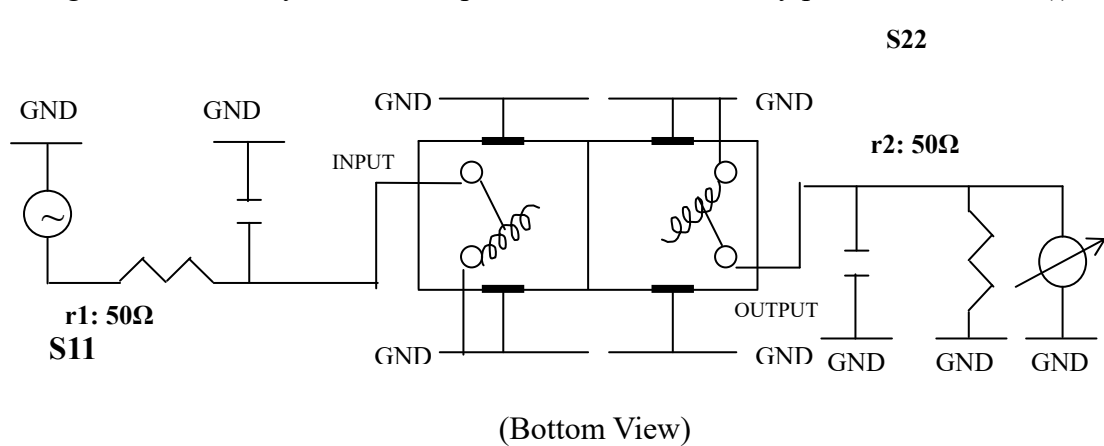
Customer Name		Temwell's Part No.	TD67107C-380M
Approval No. /dated		Temwell's print Name.	67107C 380M
Work Instruction No.	201201012A	Date	Jan.19.2012



(3)Electric Charasteric

Item	Specify
Center Freq.(Fo) +/- 0.5 %	380 MHz
Insertion Loss	Typ. 2.5 dB
-3 dB Bandwidth	Typ. 16 MHz
Sensitivity (Attenuation)	Fo - 50 MHz Typ. 20 dBc
	Fo + 50 MHz Typ. 30 dBc
	Fo - ()MHz Typ. dBc
	Fo +()MHz Typ. dBc
Return Loss	Min. 12 dB
Ripple	< 1 dB
Impedance	In / Out : 50 Ω
(4)Torque for Tuning Screw	> 100gf · cm
(5)Temperature Condition:	
Operating Temperature	0°C ~ +60°C
Storage Temperature	-20°C ~ +70°C
(6)Input Power	> 1Watt

(7)Measuring Circuit: ※Easy to match Impedance S11/S22 50Ω/ by parallel with about()



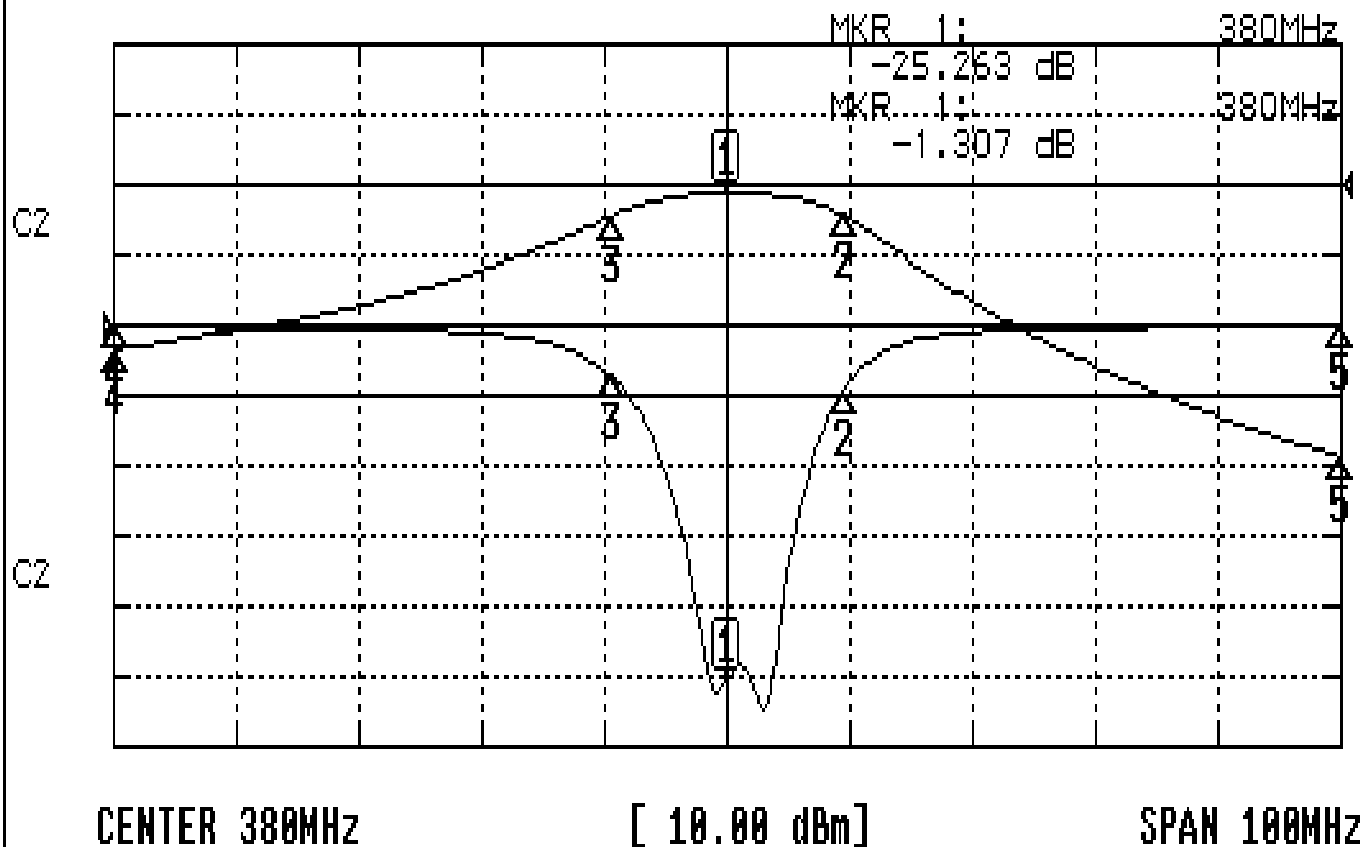
Approval C.Y.Chang	Supervisor C.K.Chang	Designer P.H.Chiang	Aperture size 7H2(4*6.35)(6.38) (7H046LB4.3 聚 3)J1
-----------------------	-------------------------	------------------------	--

TEMWELL CORPORATION

Performance-TD67107C-380M

201201012A

CH1 S11 LOG MAG REF 0.000 dB 5.000 dB/
CH2 S21 LOG MAG REF 0.000 dB 10.000 dB/



CH1 MARKER LIST

1:	380.000MHz	-25.263 dB
2:	389.500MHz	-4.603 dB
3:	370.666MHz	-3.648 dB
4:	330.000MHz	-0.119 dB
5:	430.000MHz	-0.091 dB

CH2 MARKER LIST

1:	380.000MHz	-1.307 dB
2:	389.500MHz	-4.364 dB
3:	370.666MHz	-4.375 dB
4:	330.000MHz	-23.364 dB
5:	430.000MHz	-38.695 dB