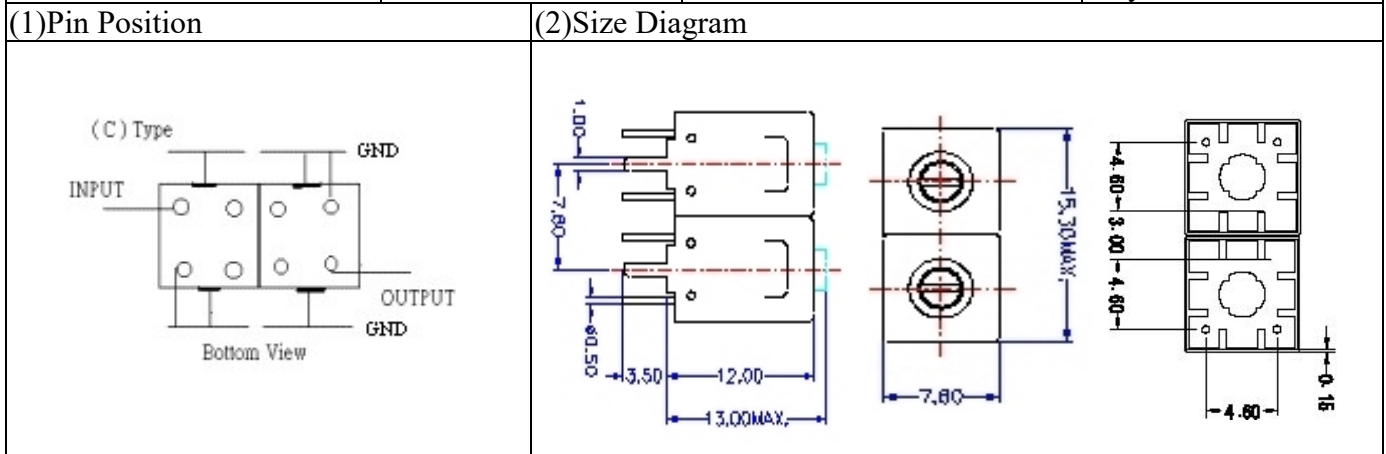


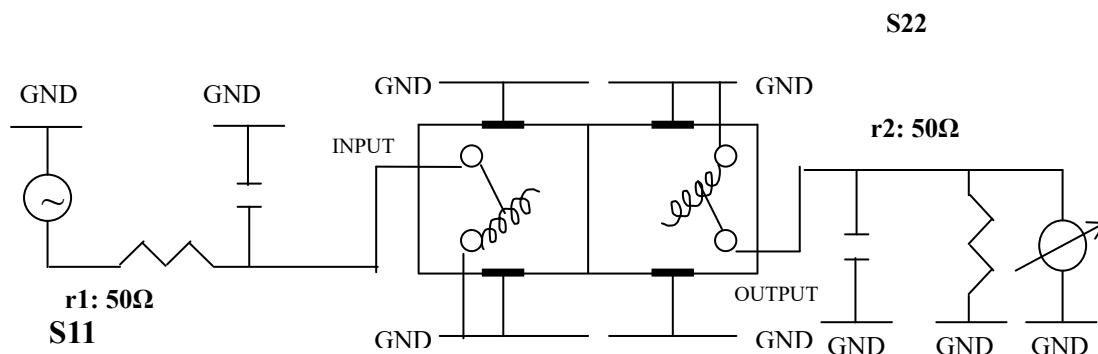
VHF UHF Helical Filter Specification Sheet

Customer Name		Temwell's Part No.	TD67107C-367.5M
Approval No. /dated		Temwell's print Name.	67107C 367.5M
Work Instruction No.	201204102A	Date	May.05.2011



(3) Electric Chararctic		Item	Specify
Center Freq.(Fo) +/- 0.5 %			367.5 MHz
Insertion Loss		Typ.	2.5 dB
-3 dB Bandwidth		Typ.	16 MHz
Sensitivity (Attenuation)	Fo - 50 MHz	Typ.	20 dBc
	Fo + 50 MHz	Typ.	30 dBc
	Fo - ()MHz	Typ.	dBc
	Fo +()MHz	Typ.	dBc
Return Loss		Min.	12 dB
Ripple			< 1 dB
Impedance			In / Out : 50 Ω
(4) Torque for Tuning Screw			> 100gf · cm
(5) Temperature Condition:			
Operating Temperature			0°C ~ +60°C
Storage Temperature			-20°C ~ +70°C
(6) Input Power			> 1 Watt

(7) Measuring Circuit: ※ Easy to match Impedance S11/S22 50Ω/ by parallel with about(--)



(Bottom View)

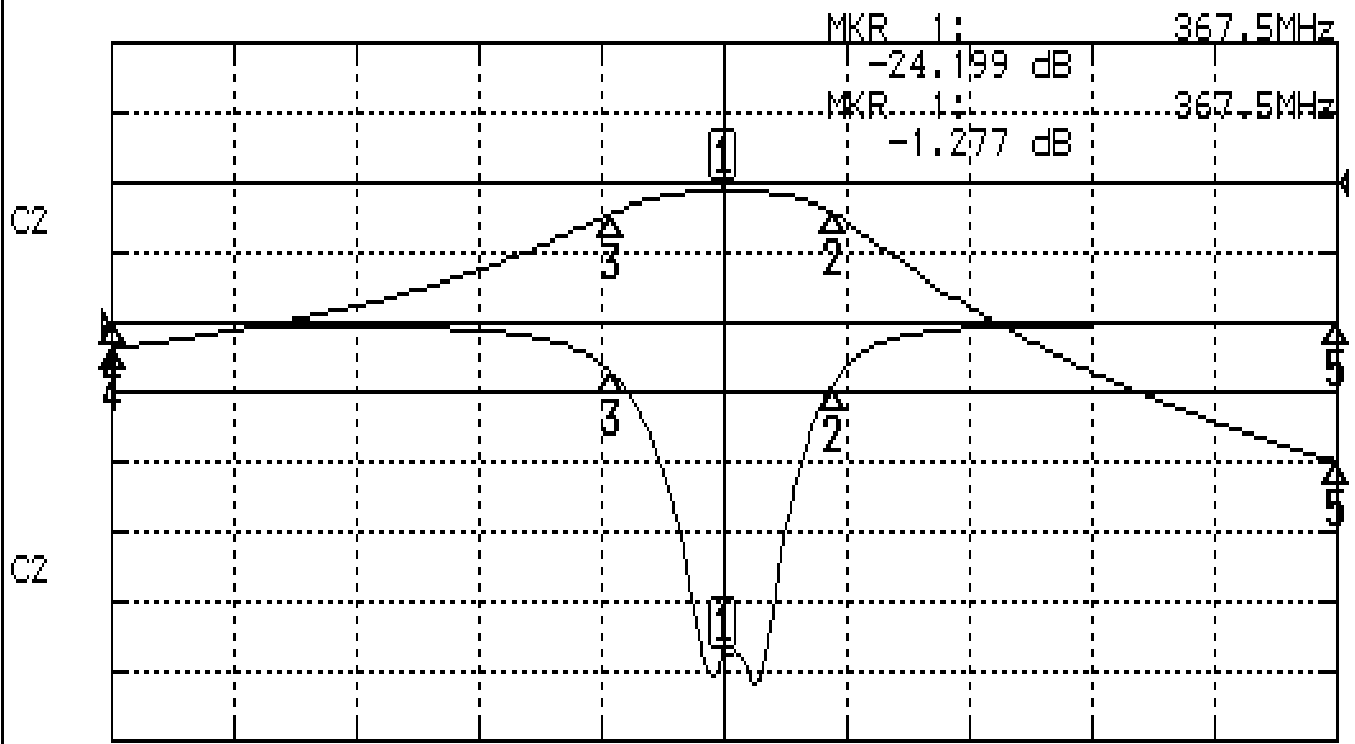
Approval	Supervisor	Designer	Aperture size
C.Y.Chang	C.K.Chang	F.L.Lai	7H2S(4*6.35)(6.39) 7H046LB4.3 聚 3(J1)

TEMWELL CORPORATION

Performance-TD67107C-367.5M

201204102A

CH1 S11 LOG MAG REF 0.000 dB 5.000 dB/
CH2 S21 LOG MAG REF 0.000 dB 10.000 dB/



CENTER 367.5MHz

[10.00 dBm]

SPAN 100MHz

CH1 MARKER LIST

1	367.500MHz	-24.199	dB
2	376.333MHz	-4.598	dB
3	358.416MHz	-3.708	dB
4	317.500MHz	-0.116	dB
5	417.500MHz	-0.072	dB

CH2 MARKER LIST

1	367.500MHz	-1.278	dB
2	376.333MHz	-4.272	dB
3	358.416MHz	-4.286	dB
4	317.500MHz	-23.727	dB
5	417.500MHz	-39.875	dB