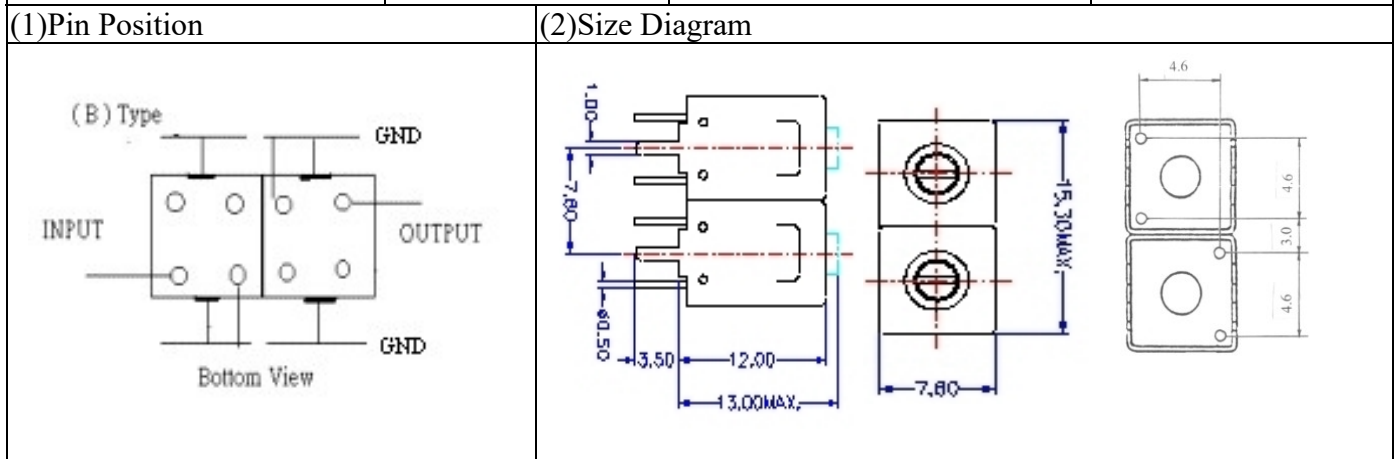


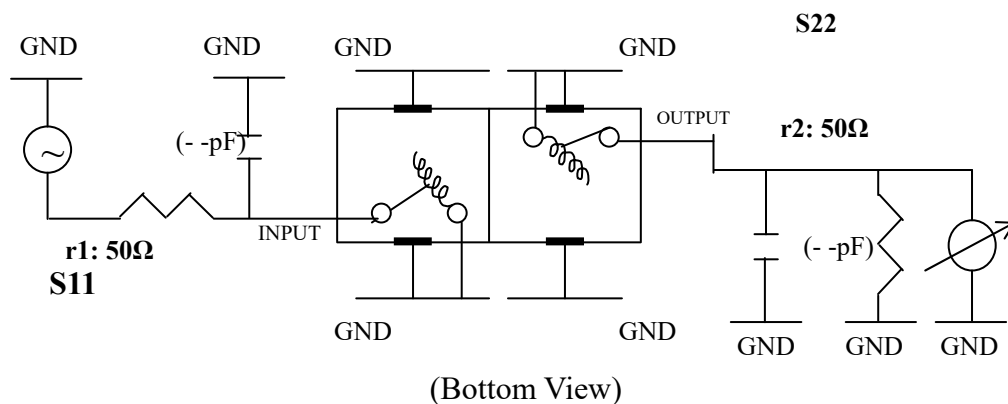
# VHF UHF Helical Filter Specification Sheet

Customer Name		Temwell's Part No.	TD67106B-435M
Approval No. /dated		Temwell's Print Name	
Work Instruction No.	201109052A	Date	Oct.17.2011



(3) Electric Chararistic		Item	Specify
Center Freq.(Fo ) +/- 0.5 %			435 MHz
Insertion Loss		Typ.	2.5 dB
-3 dB Bandwidth		Typ.	17 MHz
Sensitivity (Attenuation)	Fo - 50 MHz	Typ.	21 dBc
	Fo + 50 MHz	Typ.	25 dBc
	Fo - ( )MHz	Typ.	dBc
	Fo +( )MHz	Typ.	dBc
Return Loss		Min.	12 dB
Ripple			< 1 dB
Impedance			In / Out : 50 Ω
(4) Torque for Tuning Screw			> 100gf · cm
(5) Temperature Condition:			
Operating Temperature			0°C ~ +60°C
Storage Temperature			-20°C ~ +70°C
(6) Input Power			> 1 Watt

(7) Measuring Circuit: ※Easy to match Impedance S11/S22 50Ω/ by parallel with about (- -) pF.



Approval	Supervisor	Designer	Aperture size
C.Y.Chang	C.K.Chang	L.F.Lai	7H2S(4*6.5)(6.58) 7H046LB4.3 聚 3
TEMWELL CORPORATION			

# Performance-TD67106B-435M

## 201109052A

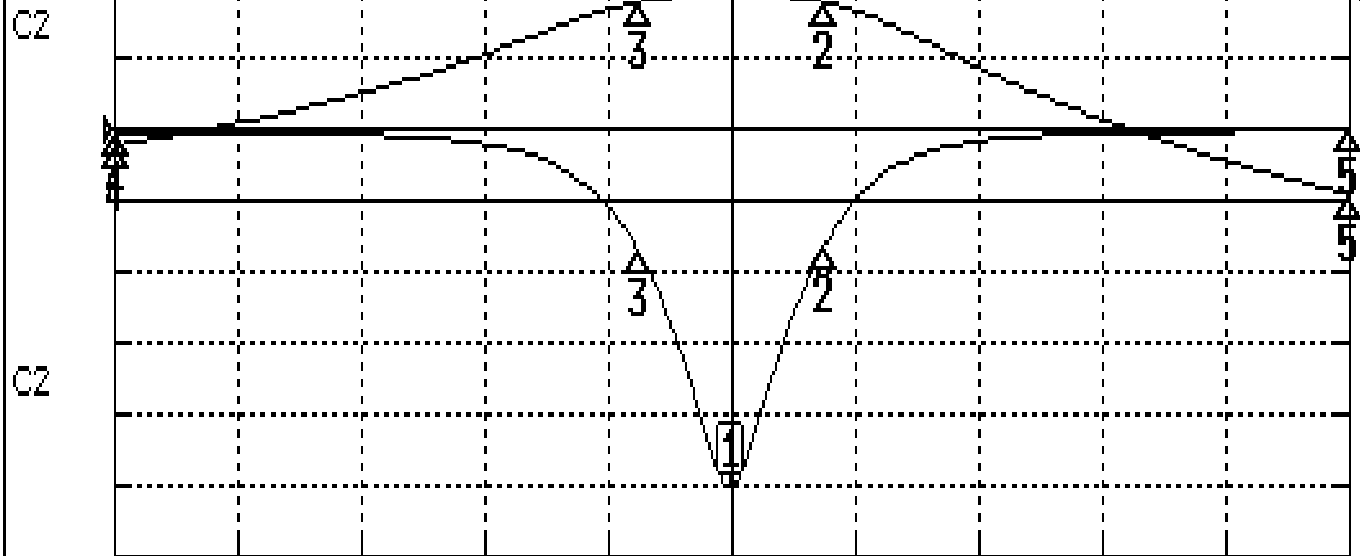
CH1 S11 LOG MAG REF 0.000 dB 5.000 dB/  
CH2 S21 LOG MAG REF 0.000 dB 10.000 dB/

MKR 1: 435MHz

-25.141 dB

MKR 1: 435MHz

-1.177 dB



CENTER 435MHz

[ 10.00 dBm ]

SPAN 100MHz

### CH1 MARKER LIST

1	435.000MHz	-25.141 dB
2	442.583MHz	-18.164 dB
3	427.500MHz	-18.465 dB
4	385.000MHz	-10.148 dB
5	485.000MHz	-0.105 dB

### CH2 MARKER LIST

1	435.000MHz	-1.177 dB
2	442.583MHz	-2.187 dB
3	427.500MHz	-2.154 dB
4	385.000MHz	-22.348 dB
5	485.000MHz	-29.185 dB