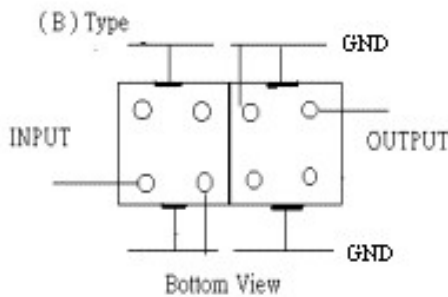


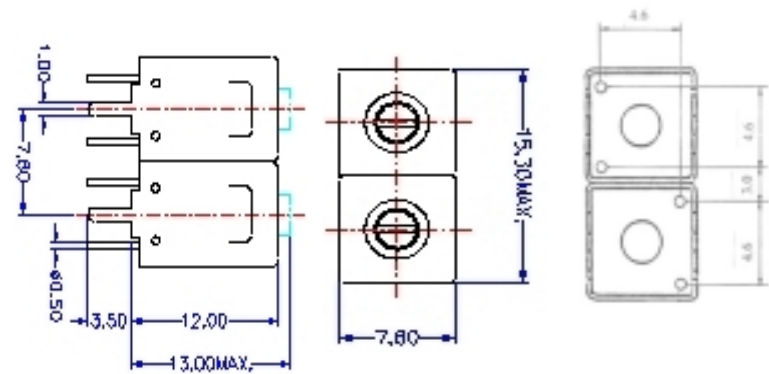
# VHF UHF Helical Filter Specification Sheet

Customer Name		Temwell's Part No.	TD67106B-425M
Approval No. /dated	0606020APR	Temwell's print name.	67106B 425M
Work Instruction No.	0606020A	Date	Jun.23.2006

## (1) Pin Position



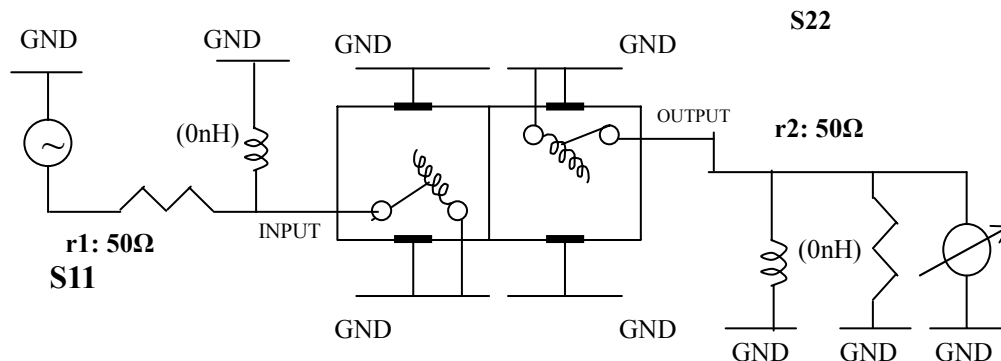
## (2) Size Diagram



## (3) Electric Character

Item	Specify	
Center Freq.(Fo) +/- 0.5 %	425	MHz
Tunable Range	425±5	MHz
Insertion Loss	Typ. 2	dB
-1 dB Bandwidth	Typ. 14	MHz
-3 dB Bandwidth	Typ. 24	MHz
Sensitivity (Attenuation)	Fo - 50 MHz	Typ. 21 dBc
	Fo + 50 MHz	Typ. 25 dBc
	Fo - ( )MHz	Typ. dBc
	Fo +( )MHz	Typ. dBc
Return Loss	Min. 12	dB
Ripple	< 1	dB
Impedance	In / Out : 50 Ω	
(4) Torque for Tuning Screw	> 100gf cm	
(5) Temperature Condition:		
Operating Temperature	0 ~ +60	
Storage Temperature	-20 ~ +70	
(6) Input Power	> 1Watt	

(7) Measuring Circuit: Easy to match Impedance S11/S22 50Ω/ by parallel with about(0nH) / (0nH).



(Bottom View)

Approval	Supervisor	Designer	Aperture size
C.Y.Chang	C.S.Chang	P.H.Chiang	7H2(4*6.5)(6.59) 7H046LB4 聚 3
TEMWELL		CORPORATION	

# Performance-TD67106B-425M

## 0606020A

