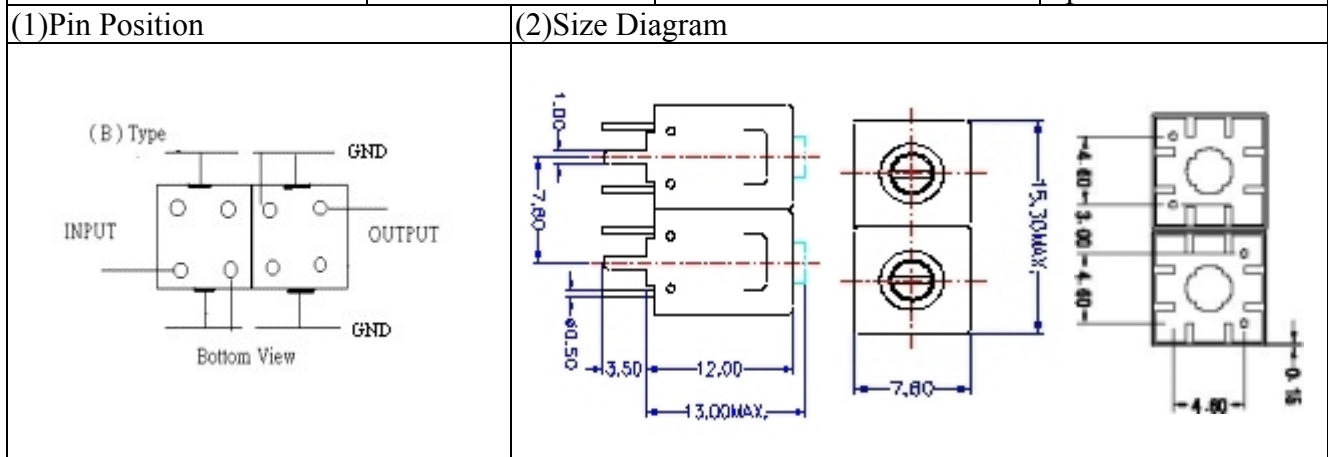


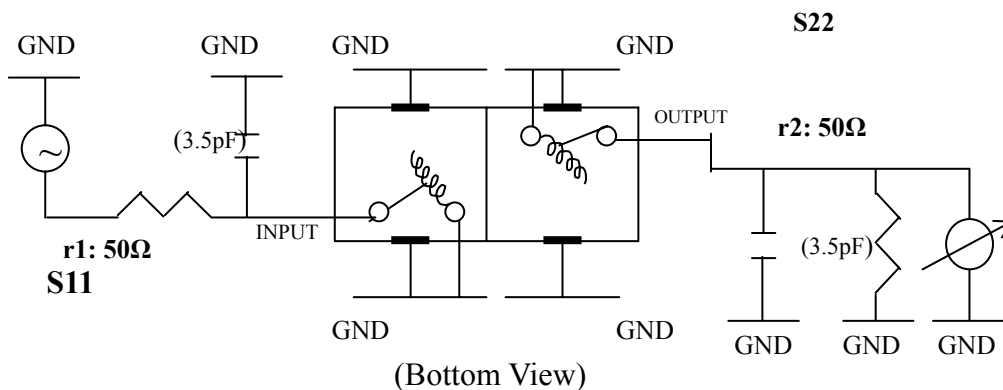
# VHF UHF Helical Filter Specification Sheet

Customer Name		Temwell's Part No.	TD6702B-260M
Approval No. /dated	0801070APR	Customer's Part No.	6702B 260M
Work Instruction No.	0801070CD	Date	Apr.09.2008



(3)Electric Charasteric		
Item	Specify	
Center Freq.(Fo) +/- 0.5 %	260 MHz	
Insertion Loss	Typ. 2.0 dB	
-3 dB Bandwidth	Typ. 20 MHz	
Sensitivity (Attenuation)	Fo - 50 MHz	Typ. 25 dBc
	Fo + 50 MHz	Typ. 28 dBc
	Fo - ( )MHz	Typ. dBc
	Fo +( )MHz	Typ. dBc
Return Loss	Min. 12 dB	
Ripple	< 1 dB	
Impedance	In / Out : 50 Ω	
(4)Torque for Tuning Screw	> 100gf cm	
(5)Temperature Condition:		
Operating Temperature	0 ~ +60	
Storage Temperature	-20 ~ +70	
(6)Input Power	> 1Watt	

(7)Measuring Circuit: Easy to match Impedance S11/S22 50Ω/ by parallel with about(3.5pF)/(3.5pF).

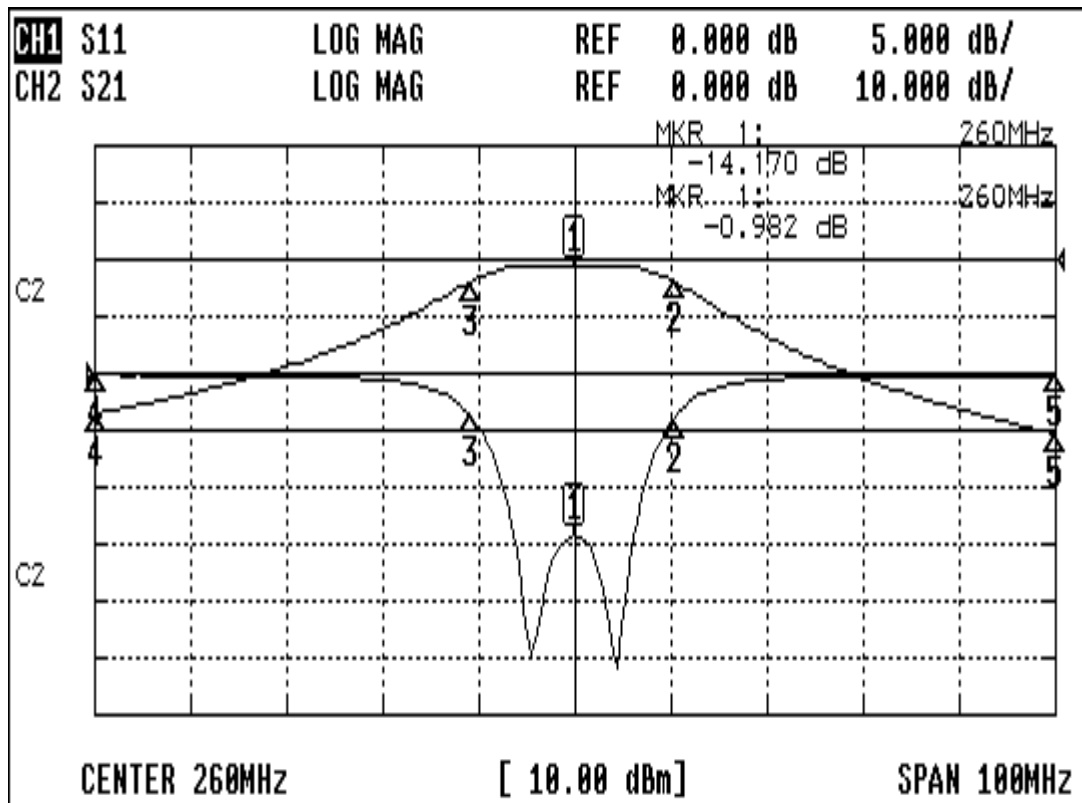


Approval C.Y.Chang	Supervisor C.S.Chang	Designer Y.H.Chuan	Aperture size 7H2(4*7.5F)*(4.0B) 7H024LB4
-----------------------	-------------------------	-----------------------	---

TEMWELL CORPORATION

# Performance-TD6702B-260M

## 0801070CD



### CH1 MARKER LIST

1:	260.000MHz	-14.170 dB
2:	270.416MHz	-3.820 dB
3:	249.166MHz	-3.702 dB
4:	210.000MHz	-0.146 dB
5:	310.000MHz	-0.149 dB

### CH2 MARKER LIST

1:	260.000MHz	-0.981 dB
2:	270.416MHz	-3.957 dB
3:	249.166MHz	-3.903 dB
4:	210.000MHz	-27.049 dB
5:	310.000MHz	-30.508 dB