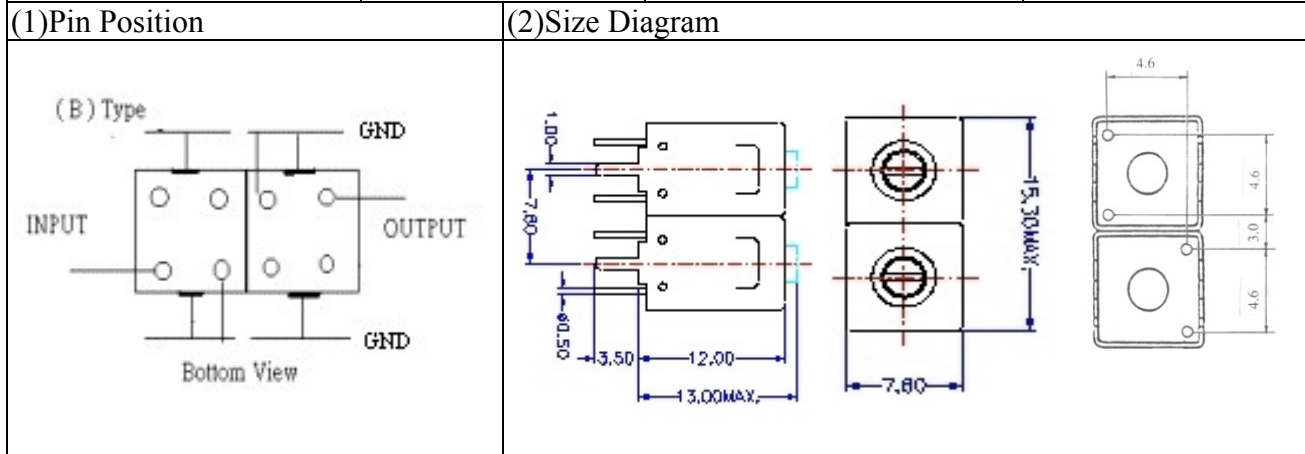


VHF UHF Helical Filter Specification Sheet

Customer Name		Temwell's Part No.	TD62464B-160M
Approval No. /dated	201205044CD	Temwell's Print Name.	62464B 160M
Work Instruction No.	201205044CD	Date	May.15.2012



(3) Electric Characteristic

Item	Specify
Center Freq.(Fo) +/- 0.5 %	160 MHz
Insertion Loss	Typ. 2.0 dB
-3 dB Bandwidth	Typ. 20 MHz
Sensitivity (Attenuation)	Fo - 50 MHz Typ. 15 dBc
	Fo + 50 MHz Typ. 20 dBc
	Fo - ()MHz Typ. dBc
	Fo + ()MHz Typ. dBc
Return Loss	Min. 12 dB
Ripple	< 1 dB
Impedance	In / Out : 50 Ω

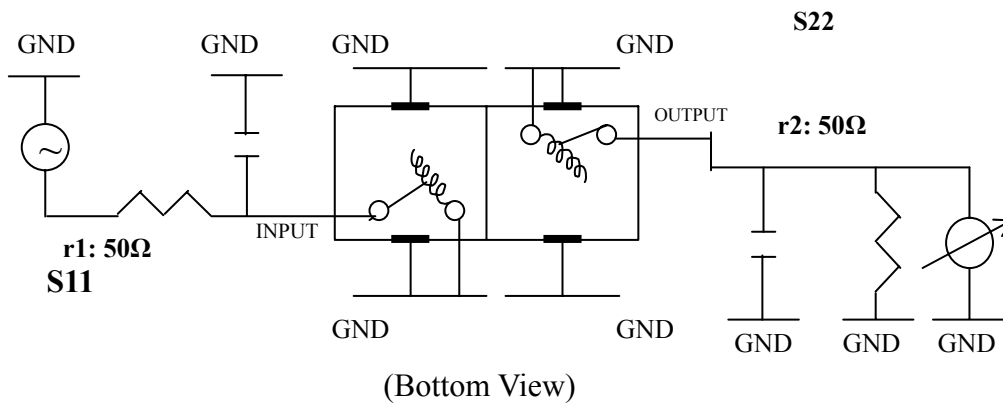
(4) Torque for Tuning Screw >60gf cm

(5) Temperature Condition:

Operating Temperature	0 ~ +60
Storage Temperature	-20 ~ +70

(6) Input Power > 1Watt

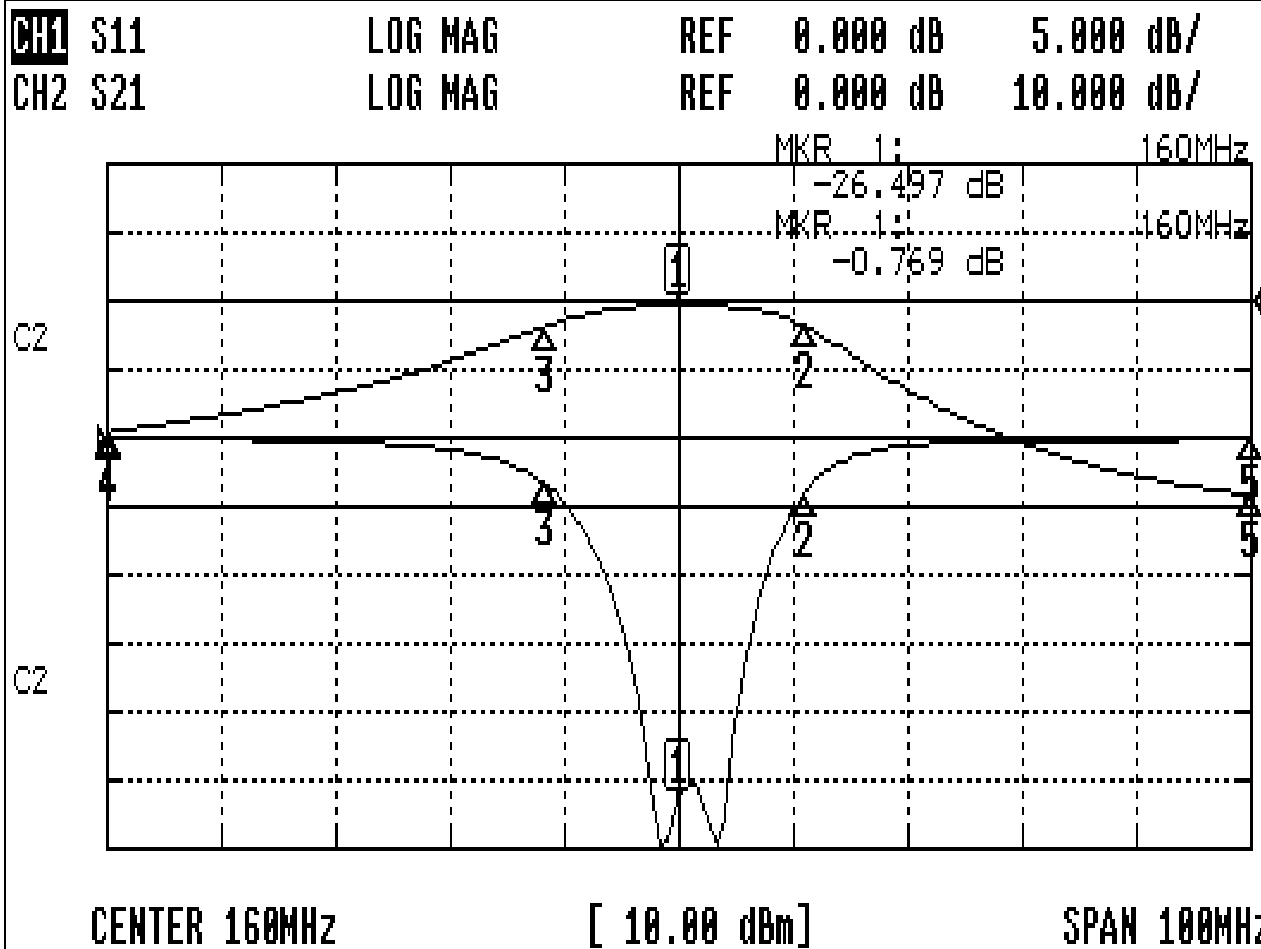
(7) Measuring Circuit: Easy to match Impedance S11/S22 50Ω by parallel with about (--)



Approval	Supervisor	Designer	Aperture size
C.Y.Chang	C.K.Chang	M.Y.Kang	7H2S(4*5.5)(5.58) 7H024LB6.5
TEMWELL CORPORATION			

Performance-TD62464B-160M

201205044CD



CH1 MARKER LIST

1:	160.000MHz	-26.497 dB
2:	171.000MHz	-4.028 dB
3:	148.333MHz	-3.394 dB
4:	110.000MHz	-0.073 dB
5:	210.000MHz	-0.116 dB

CH2 MARKER LIST

1:	160.000MHz	-0.769 dB
2:	171.000MHz	-3.745 dB
3:	148.333MHz	-3.722 dB
4:	110.000MHz	-19.184 dB
5:	210.000MHz	-28.364 dB