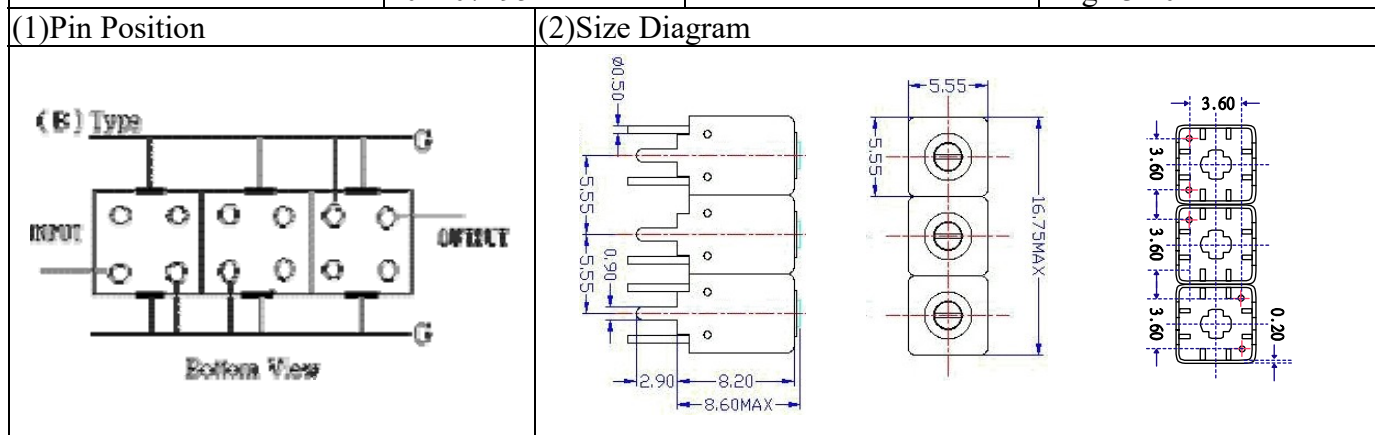


VHF UHF Helical Filter Specification Sheet

| | | | |
|----------------------|-------------|-----------------------|---------------|
| Customer Name | | Temwell's Part No. | TTW3501B-783M |
| Approval No. /dated | 201407195CD | Temwell's Print Name. | 3501B 783M |
| Work Instruction No. | 201407195CD | Date | Aug.13.2014 |



(3) Electric Character

| Item | Specify |
|------------------------------|-------------------------|
| Center Freq.(Fo) +/- 0.5 % | 783 MHz |
| Insertion Loss | Typ. 4.5 dB |
| -3 dB Bandwidth | Typ. 10 MHz |
| Sensitivity (Attenuation) | Fo - 50 MHz Typ. 38 dBc |
| | Fo + 50 MHz Typ. 27 dBc |
| | Fo - ()MHz Typ. dBc |
| | Fo +()MHz Typ. dBc |
| Return Loss | Min. 12 dB |
| Ripple | < 1 dB |
| Impedance | In / Out : 50 Ω |

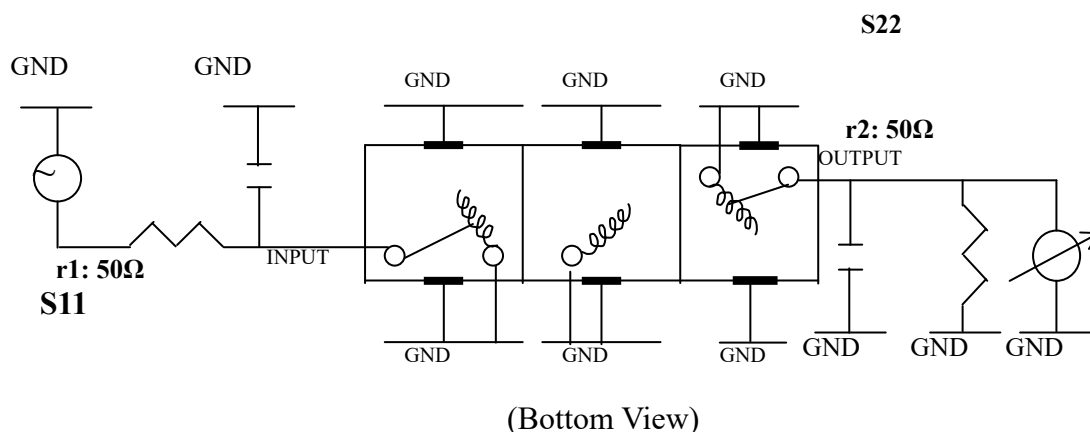
(4) Torque for Tuning Screw > 60gf · cm

(5) Temperature Condition:

| | |
|-----------------------|---------------|
| Operating Temperature | 0°C ~ +60°C |
| Storage Temperature | -20°C ~ +70°C |

(6) Input Power > 0.5Watt

(7) Measuring Circuit: ※Easy to match Impedance S11/S22 50Ω by parallel with about(--)



| | | | |
|-----------|------------|------------|----------------------------------|
| Approval | Supervisor | Designer | Aperture size |
| C.Y.Chang | C.K.Chang | P.H.Chiang | 5W3S(3.8*3.5)(3.53) 5HW024RB3 |

TEMWELL CORPORATION

Performance-TTW3501B-783M

201407195CD

