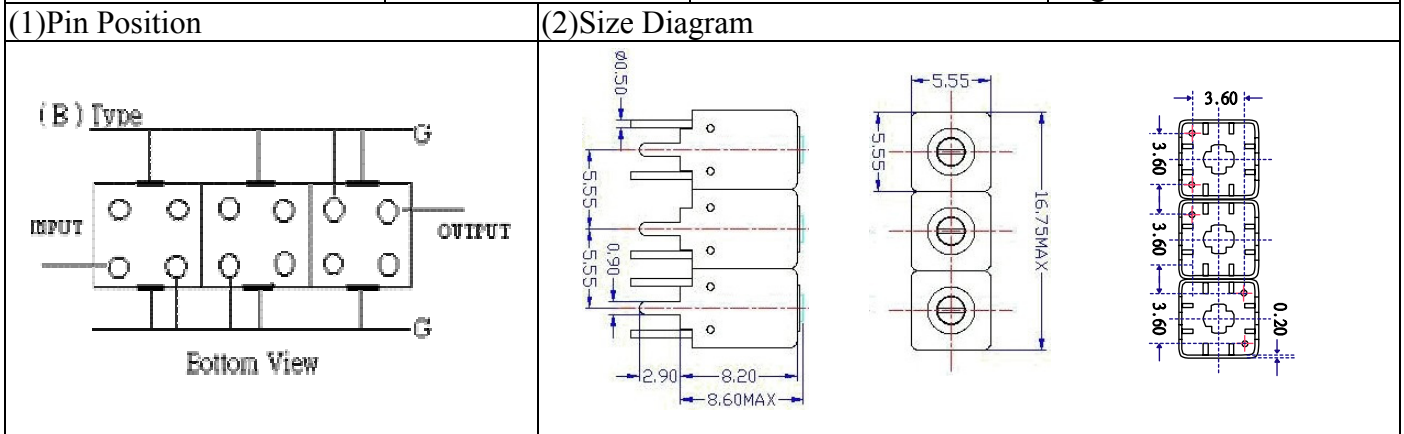


# VHF UHF Helical Filter Specification Sheet

Customer Name		Temwell's Part No.	TTW3491B-722.5M
Approval No. /dated	201407197CD	Temwell's Print Name.	3491B 722.5M
Work Instruction No.	201407197CD	Date	Aug.13.2014



(3) Electric Character		Item	Specify	Performance
Center Freq.(Fo) +/- 0.5 %			722.5 MHz	722.5 MHz
Insertion Loss		Typ.	3.5 dB	2.86 dB
-3 dB Bandwidth		Typ.	16 MHz	24.2 MHz
Sensitivity (Attenuation)	Fo - 50 MHz	Typ.	36 dBc	39 dBc
	Fo + 50 MHz	Typ.	26 dBc	29 dBc
	Fo - ( )MHz	Typ.	dBc	dBc
	Fo +( )MHz	Typ.	dBc	dBc
Return Loss		Min.	12 dB	21.9 dB
Ripple			< 1 dB	dB
Impedance			In / Out : 50 Ω	In / Out : 50 Ω

(4) Torque for Tuning Screw > 60gf · cm

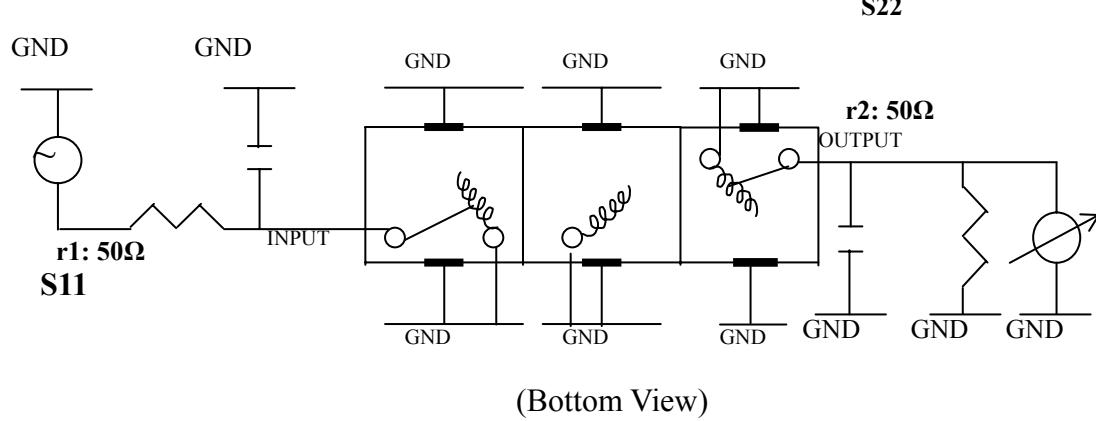
(5) Temperature Condition:

Operating Temperature 0°C ~ +60°C

Storage Temperature -20°C ~ +70°C

(6) Input Power > 0.5Watt

(7) Measuring Circuit: ※Easy to match Impedance S11/S22 50Ω by parallel with about( -- )



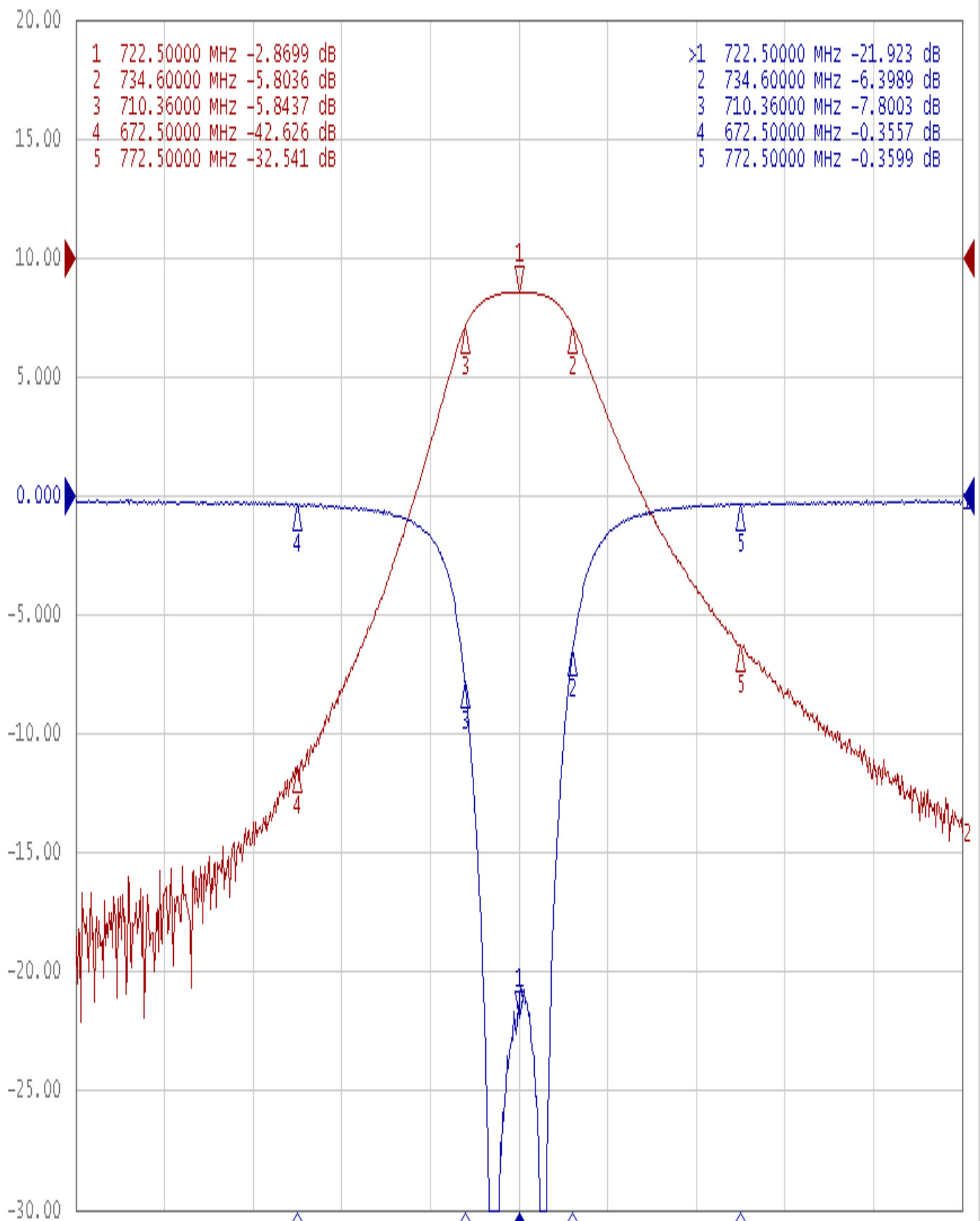
Approval	Supervisor	Designer	Aperture size
C.Y.Chang	C.K.Chang	P.H.Chiang	5W3S(3.8*4.0)(4.05) 5HW02RB3

TEMWELL CORPORATION

# Performance-TTW3491B-722.5M

## 201407197CD

Tr1 S11 Log Mag 5.000dB/ Ref 0.000dB [F2]  
Tr2 S21 Log Mag 10.00dB/ Ref 0.000dB [F2]



1 Center 722.5 MHz

IFBW 70 kHz

Span 200 MHz Cor !