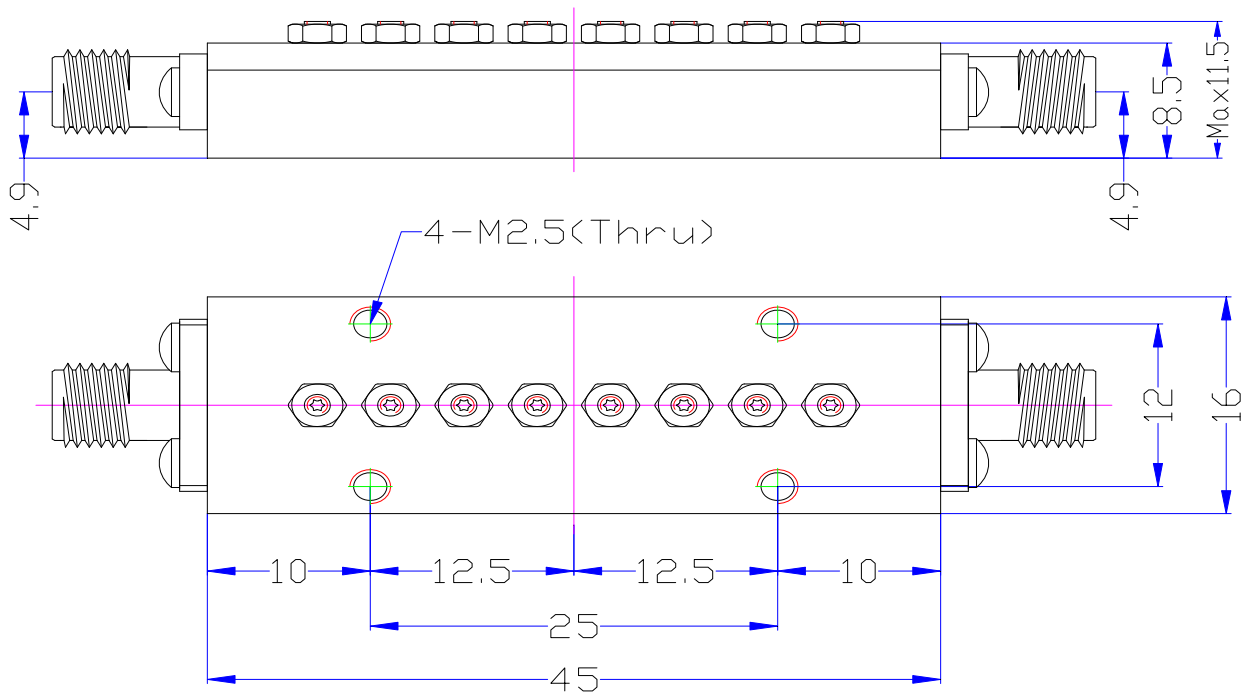


# ST-28GA4586

## Cavity Band Pass Filter

### Specifications

Serial	Parameters	
1	Center Frequency (F0)	28GHz
2	Pass Band Bandwidth	3.0GHz (26.5~29.5GHz)
3	Pass Band Insertion Loss	≤1.0dB
4	Pass Band Return Loss	≥15dB
5	Stop Band Attenuation	≥30dB @ 25GHz ≥30dB @ 31GHz
6	Impedance	50 ohms
7	Power Handling	≤10W
8	Connectors	2.92mm(K)-Female
9	Operating Temperature	-30°C ~ +70°C
10	Surface Finish	Black Paint
11	Net Weight	TBD
12	Configuration	As Below (Size Unit: mm)



## Performance

