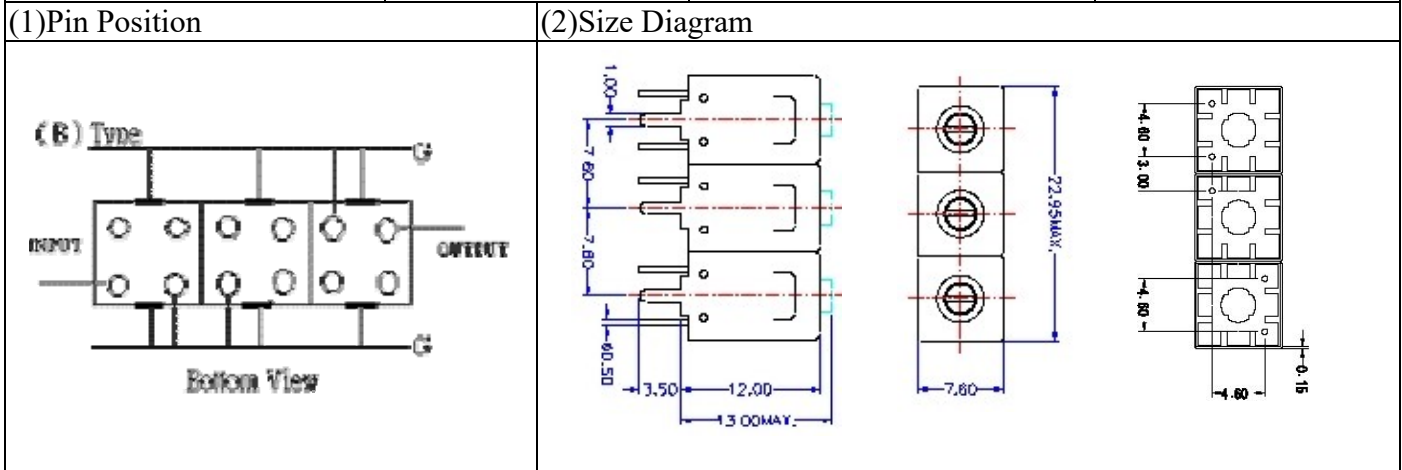
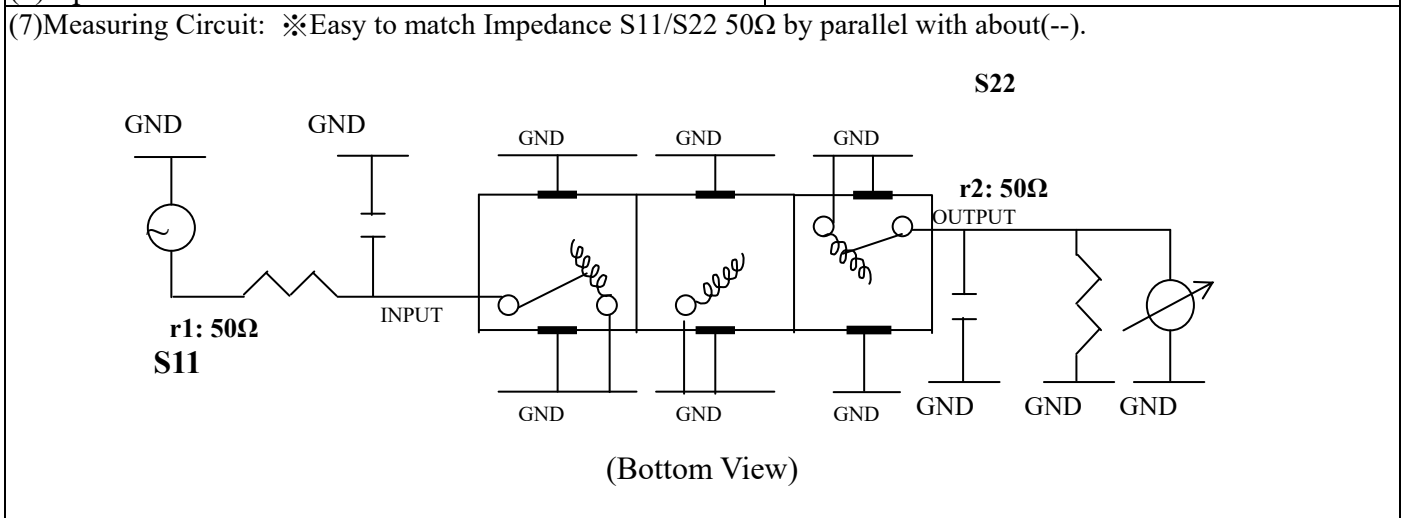


VHF UHF Helical Filter Specification Sheet

Customer Name		Temwell's Part No.	TT63631B-665M
Approval No. /dated	201611024CD	Temwell's Print name.	63631B 665M
Work Instruction No.	201611024CD	Date	Jan.06.2017



(3) Electric Characteristic			
Item	Specify	Performance	
Center Freq.(Fo) +/- 0.5 %	665 MHz	665	MHz
Insertion Loss	Typ. 3.5 dB	2.69	dB
-3 dB Bandwidth	Typ. 10 MHz	16.6	MHz
Sensitivity (Attenuation)	Fo - 20 MHz	Typ. 22	dB
	Fo + 20 MHz	Typ. 17	dB
	Fo - () MHz	Typ.	dB
	Fo + () MHz	Typ.	dB
Return Loss	Min. 12 dB	22.9	dB
Ripple	< 1 dB		dB
Impedance	In / Out : 50 Ω	In / Out : 50 Ω	
(4) Torque for Tuning Screw			
		> 60gf · cm	
(5) Temperature Condition:			
Operating Temperature		0°C ~ +60°C	
Storage Temperature		-20°C ~ +70°C	
(6) Input Power			
		> 1Watt	



Approval	Supervisor	Designer	Aperture size
C.Y.Chang	C.K.Chang	M.Y.Kang	7H3S(4*5.35)(5.41) 7H046RB4
TEMWELL CORPORATION			

Performance-TT63631B-665M

201611024CD

CH1 S11

LOG MAG

REF 0.000 dB

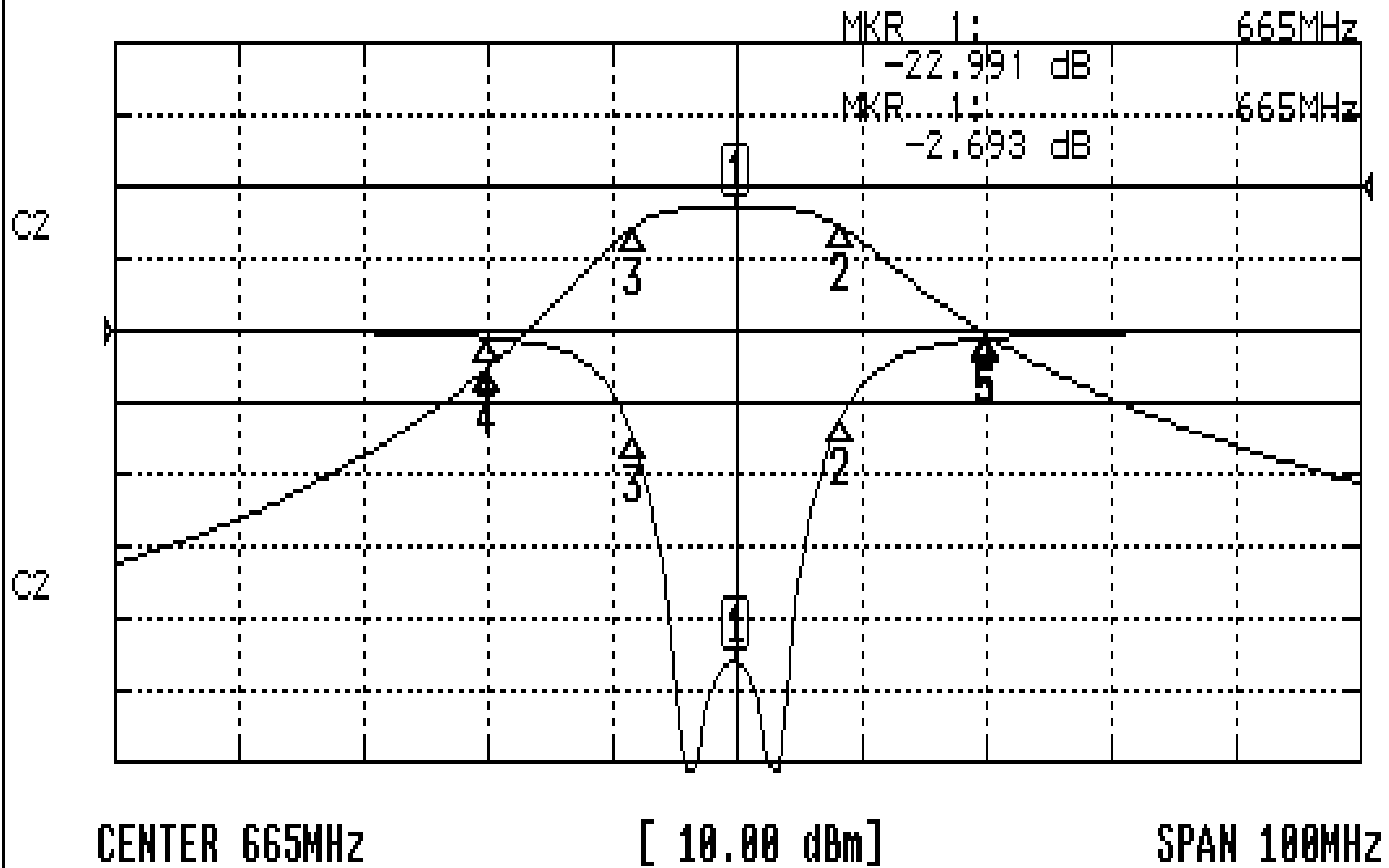
5.000 dB/

CH2 S21

LOG MAG

REF 0.000 dB

10.000 dB/



CH1 MARKER LIST

Marker	Frequency (MHz)	Magnitude (dB)
1	665.000	-22.997
2	673.333	-6.246
3	656.666	-7.434
4	645.000	-0.472
5	685.000	-0.543

CH2 MARKER LIST

Marker	Frequency (MHz)	Magnitude (dB)
1	665.000	-2.693
2	673.333	-5.663
3	656.666	-5.641
4	645.000	-25.144
5	685.000	-20.551