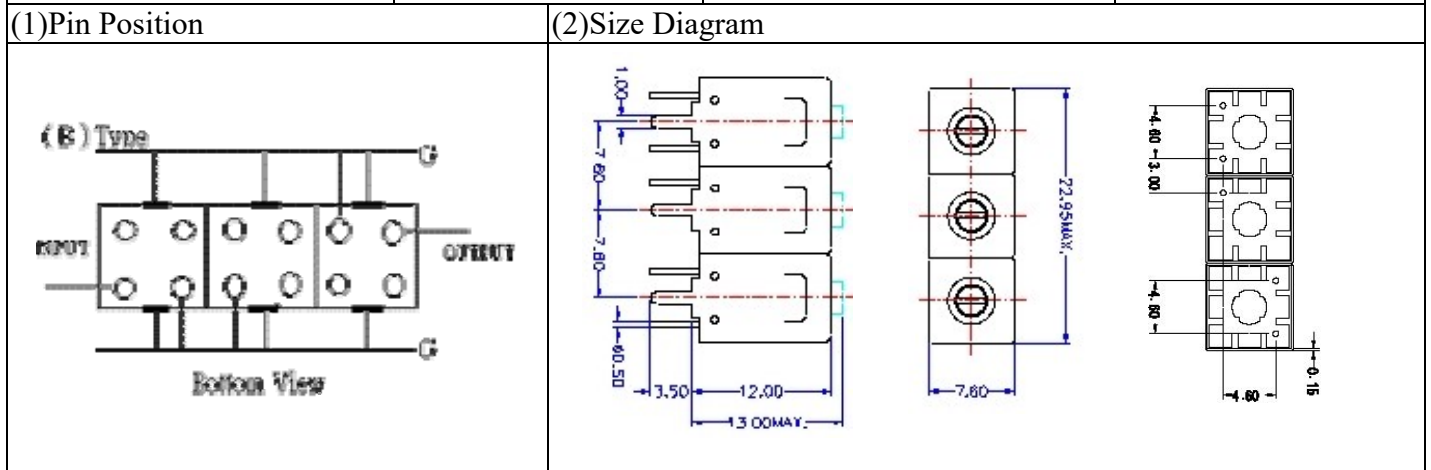


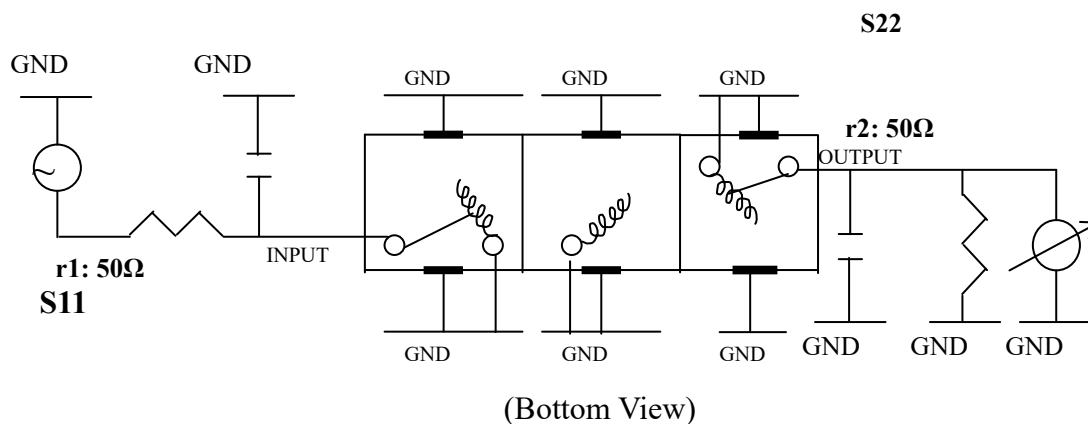
VHF UHF Helical Filter Specification Sheet

Customer Name		Temwell's Part No.	TT63629B-645M
Approval No. /dated	201611022CD	Temwell's Print name.	63629B 645M
Work Instruction No.	201611022CD	Date	Dec.16.2016



(3) Electric Characteristic		Item	Specify	Performance
		Center Freq.(Fo) +/- 0.5 %	645 MHz	645 MHz
		Insertion Loss	Typ. 3.5 dB	3.35 dB
		-3 dB Bandwidth	Typ. 10 MHz	14.2 MHz
Sensitivity (Attenuation)	Fo - 20 MHz	Typ. 30 dB		34 dB
	Fo + 20 MHz	Typ. 25 dB		27 dB
	Fo - () MHz	Typ. dB		dB
	Fo + () MHz	Typ. dB		dB
		Return Loss	Min. 12 dB	20.3 dB
		Ripple	< 1 dB	dB
		Impedance	In / Out : 50 Ω	In / Out : 50 Ω
(4) Torque for Tuning Screw			> 60gf · cm	
(5) Temperature Condition:				
Operating Temperature			0°C ~ +60°C	
Storage Temperature			-20°C ~ +70°C	
(6) Input Power			> 1Watt	

(7) Measuring Circuit: ※ Easy to match Impedance S11/S22 50Ω by parallel with about(--).



Approval	Supervisor	Designer	Aperture size
C.Y.Chang	C.K.Chang	C.S.Chang	7H3S(4*5.35)(5.44) 7H046RB4.3 聚 3

TEMWELL CORPORATION

TEMWELL

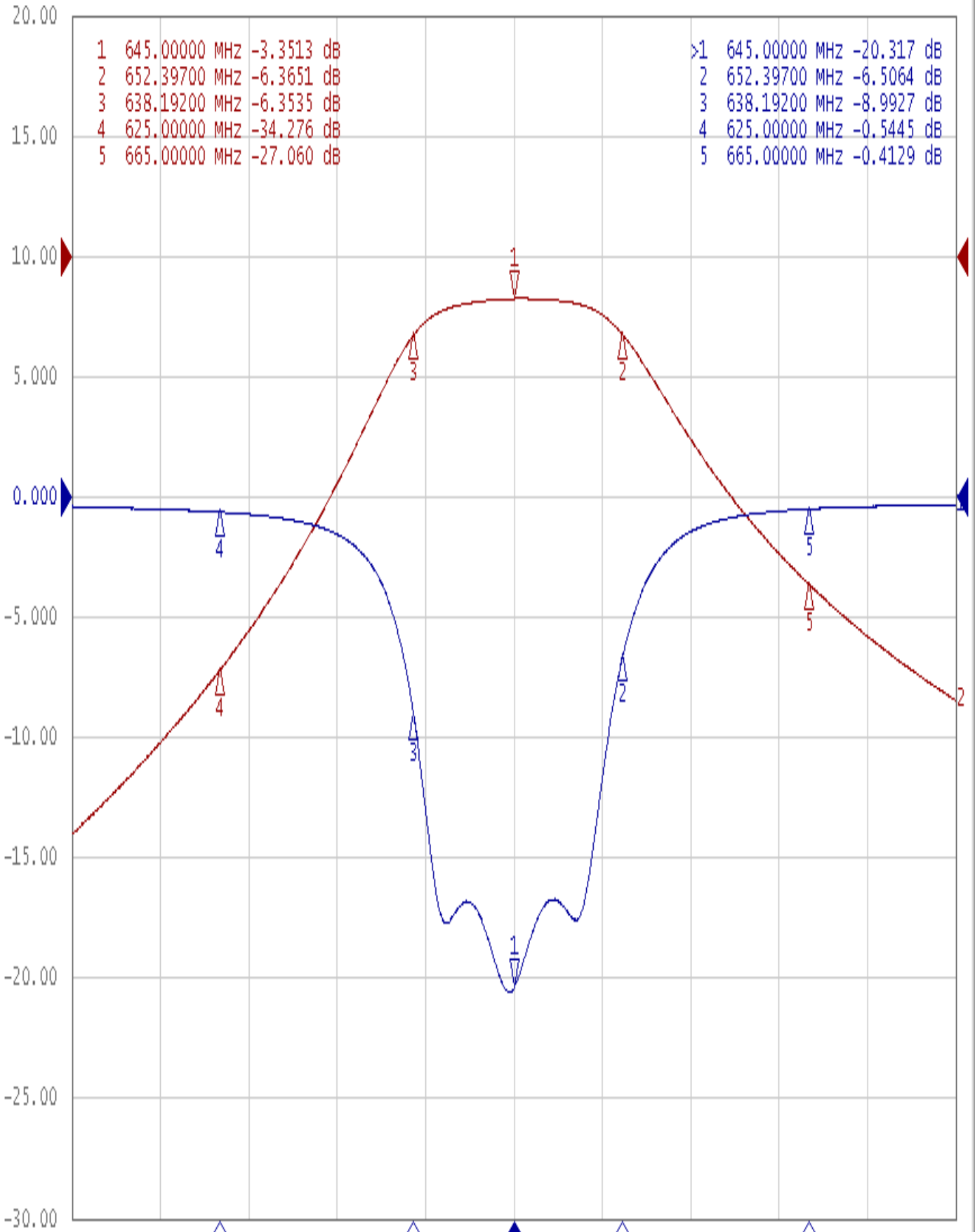
Form10-7H3B Vision D

RP (C.S.C)

Performance-TT63629B-645M

201611022CD

Tr1 S11 Log Mag 5.000dB/ Ref 0.000dB [F2]
Tr2 S21 Log Mag 10.00dB/ Ref 0.000dB [F2]



1 Center 645 MHz

IFBW 10 kHz

Span 60 MHz Cor !