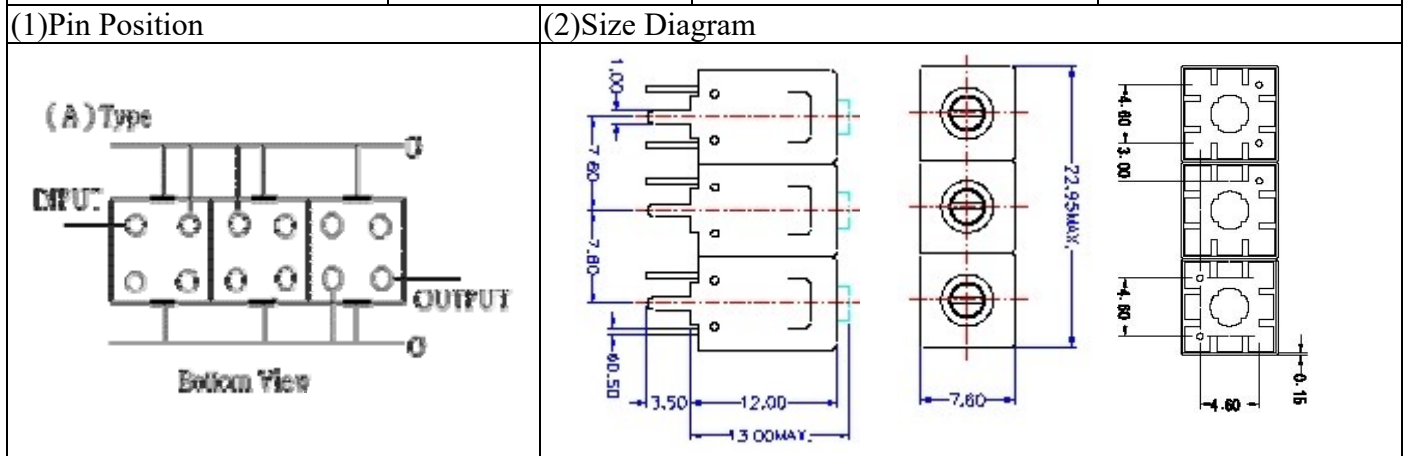


# VHF UHF Helical Filter Specification Sheet

Customer Name		Temwell's Part No.	TT63626A-615M
Approval No. /dated		Temwell's Print name	63626A 615M
Work Instruction No.	201611019CD	Date	Dec.08.2016



(3) Electric Chararistic

Item	Specify	Performance	
Center Freq.(Fo) +/- 0.5 %	615 MHz	615 MHz	
Insertion Loss	Typ. 3.5 dB	3.17 dB	
-3 dB Bandwidth	Typ. 10 MHz	13.3 MHz	
Sensitivity (Attenuation)	Fo - 20 MHz	Typ. 30 dB	33 dB
	Fo +20 MHz	Typ. 25 dB	27 dB
	Fo - ( )MHz	Typ. dB	dB
	Fo +( )MHz	Typ. dB	dB
Return Loss	Min. 12 dB	24.5 dB	
Ripple	< 1 dB	dB	
Impedance	In / Out : 50 Ω	In / Out : 50 Ω	
(4) Torque for Tuning Screw	> 60gf • cm		

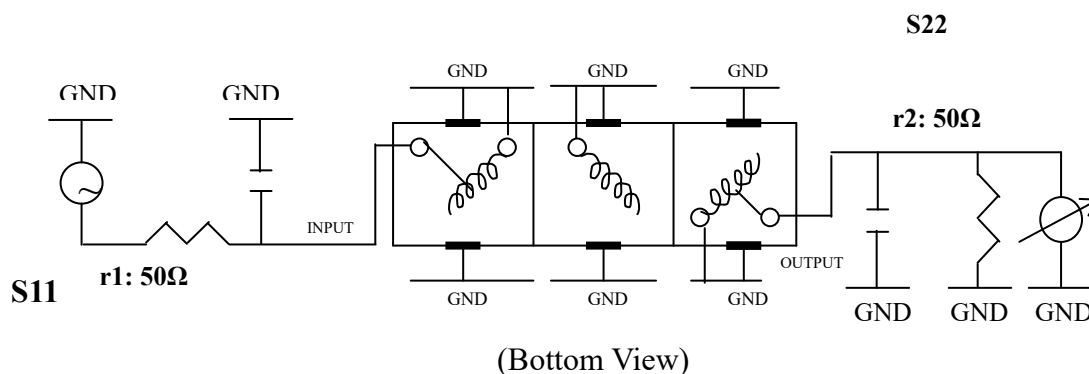
(5) Temperature Condition:

Operating Temperature	0°C ~ +60°C
Storage Temperature	-20°C ~ +70°C

(6) Input Power

> 1Watt

(7) Measuring Circuit: ※Easy to match Impedance S11/S22 50Ω by parallel with about(- -).



Approval	Supervisor	Designer	Aperture size
C.Y.Chang	C.K.Chang	C.S.Chang	7H3S(4*5.5)(5.52) 7H046LB4.3 聚 3

TEMWELL CORPORATION

TEMWELL

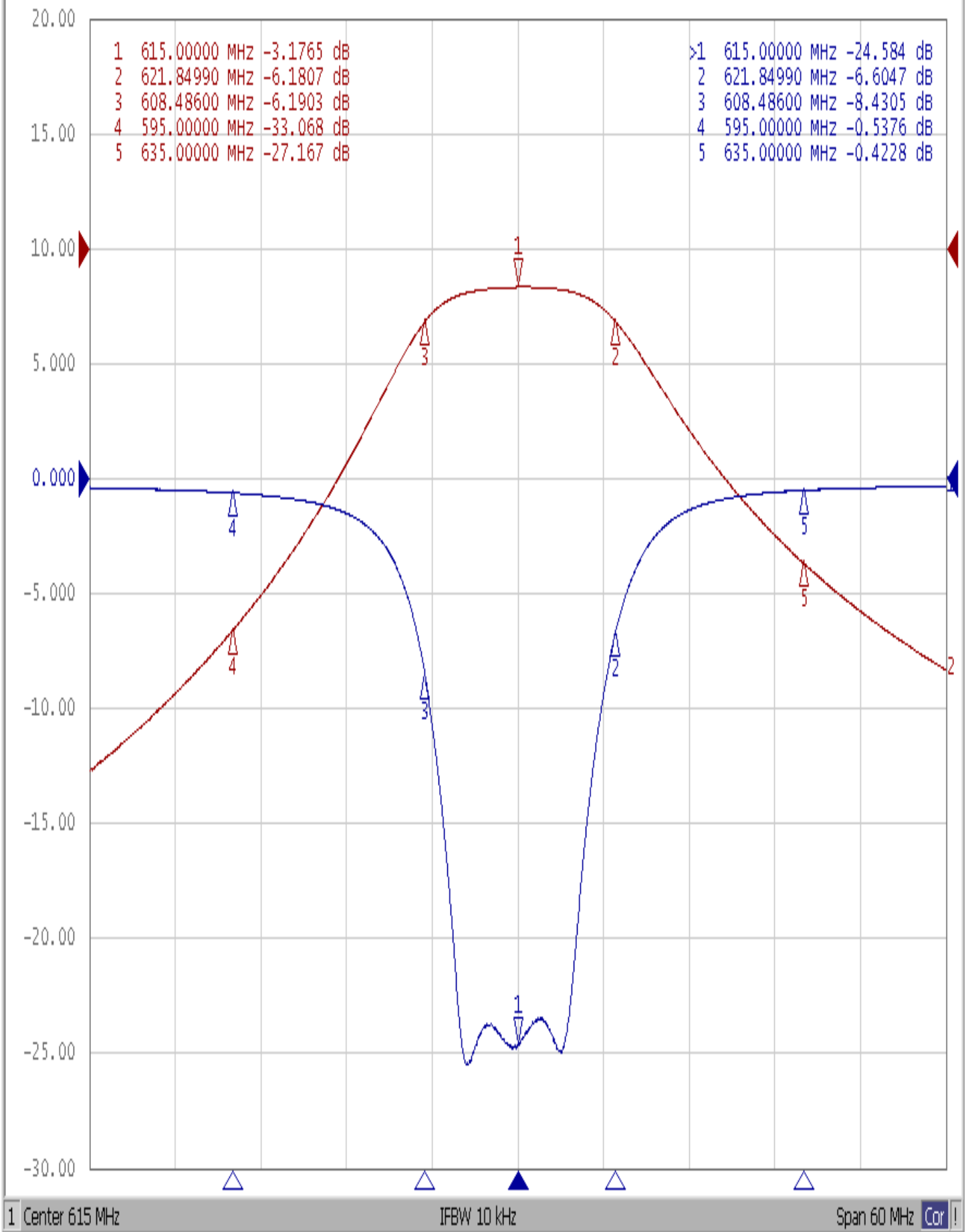
Form10-7H3A Vision D

RP (C.S.C)

# Performance-TT63626A-615M

## 201611019CD

Tr1 S11 Log Mag 5.000dB/ Ref 0.000dB [F2]  
Tr2 S21 Log Mag 10.00dB/ Ref 0.000dB [F2]



1 Center 615 MHz

IFBW 10 kHz

Span 60 MHz Cor