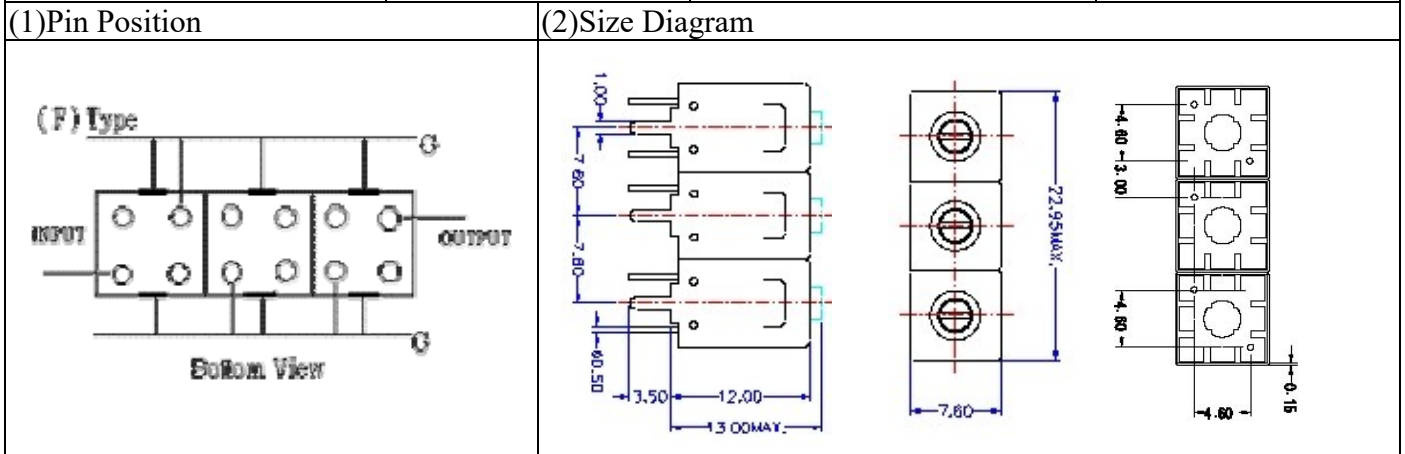


VHF UHF Helical Filter Specification Sheet

Customer Name		Temwell's Part No.	TT63613F-485M
Approval No. /dated		Temwell's print name	63613F 485M
Work Instruction No.	201611006CD	Date	Nov.29.2016



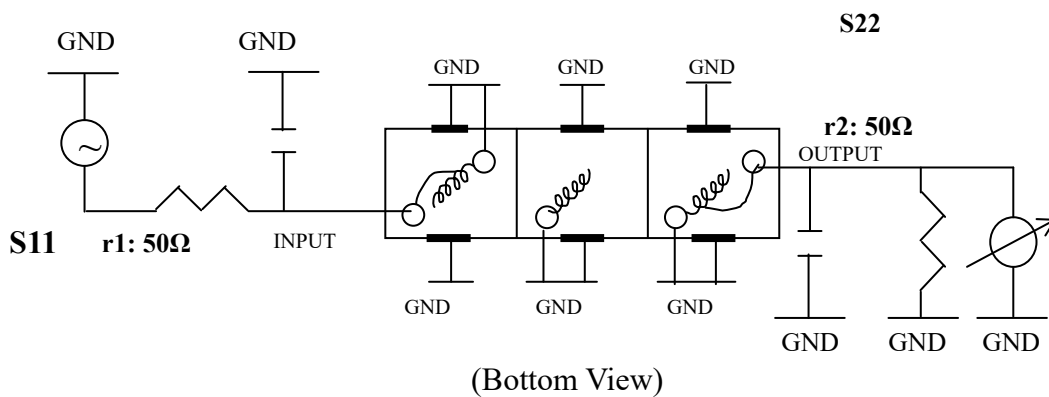
Item		Specify	Performance
Center Freq.(Fo) +/- 0.5 %		485 MHz	485 MHz
Insertion Loss		Typ. 3.5 dB	2.85 dB
-3 dB Bandwidth		Typ. 10 MHz	12.7 MHz
Sensitivity (Attenuation)	Fo - 20 MHz	Typ. 30 dB	35 dB
	Fo + 20 MHz	Typ. 25 dB	27 dB
	Fo - ()MHz	Typ. dB	dB
	Fo +()MHz	Typ. dB	dB
Return Loss		Min. 12 dB	19.3 dB
Ripple		< 1 dB	dB
Impedance		In / Out : 50 Ω	In / Out : 50 Ω

(4) Torque for Tuning Screw > 60gf · cm

(5) Temperature Condition:	
Operating Temperature	0°C ~ +60°C
Storage Temperature	-20°C ~ +70°C

(6) Input Power > 1Watt

(7) Measuring Circuit: ※Easy to match Impedance S11/S22 50Ω by parallel with about(- -).



Approval	Supervisor	Designer	Aperture size
C.Y.Chang	C.K.Chang	C.S.Chang	7H3S(4*5.5)(5.52) 7H046LB4.3 聚 3

TEMWELL CORPORATION

Performance-TT63613F-485M

201611006CD

Tr1 S11 Log Mag 5.000dB/ Ref 0.000dB [F2]
Tr2 S21 Log Mag 10.00dB/ Ref 0.000dB [F2]

