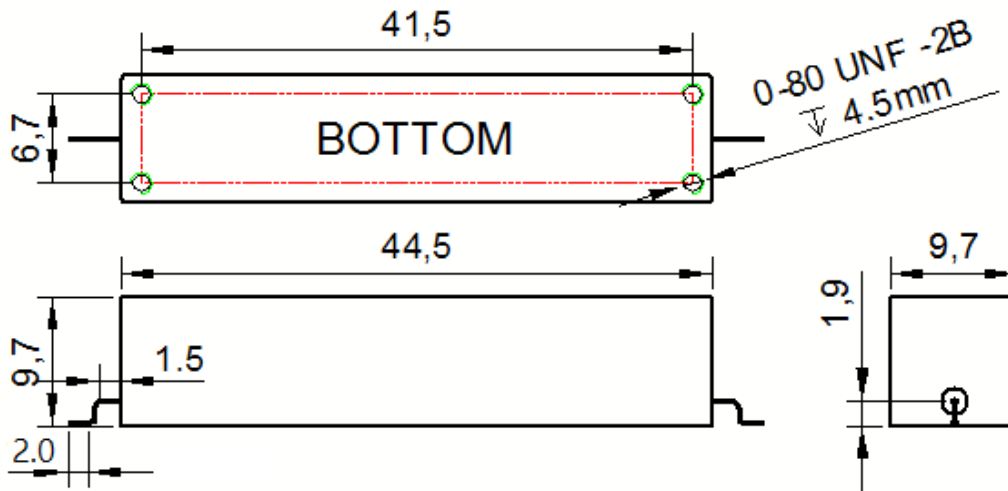


Band Pass Filter Specifications

| Serial | Parameters | |
|--------|--------------------------|--|
| 1 | Center Frequency (F0) | 2.2GHz |
| 2 | Pass Band Frequency | 1.9~2.5GHz |
| 3 | -1.0db Bandwidth | ≥600MHz |
| 4 | Pass Band Insertion Loss | ≤3.5dB |
| 5 | Pass Band VSWR | ≤1.5:1 |
| 6 | Stop Band Rejection | ≥35dB @ DC~1800MHz ≥35dB @ 2600~4000MHz |
| 7 | Impedance | 50 ohms |
| 8 | Power Handling | ≥5W(CW) |
| 9 | Connectors | Needle (Φ0.5) |
| 10 | Surface Finish | Silver Plating |
| 11 | Working Temperature | -30℃~+70℃ |
| 12 | Storage Temperature | -55℃~+85℃ |
| 13 | Configuration | As Below (Size Unit: mm) |



Tolerance: ±0.1mm
Shell material: H62 copper

Performance

