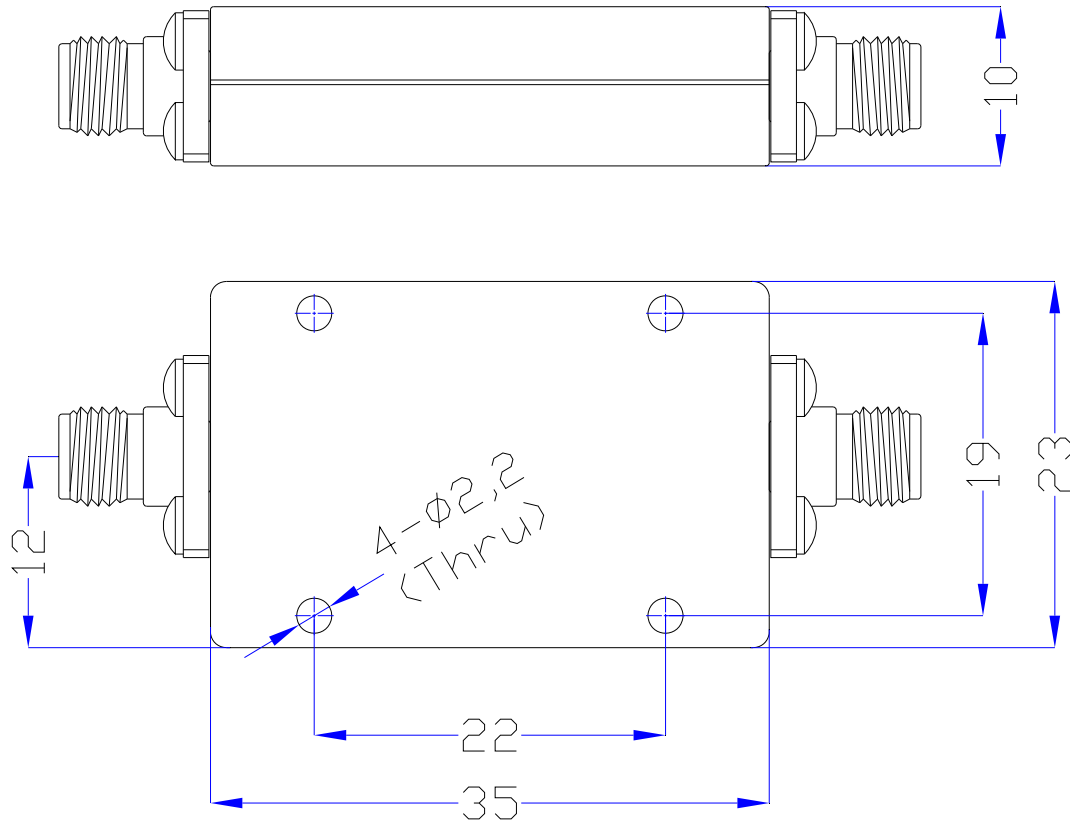


Low Pass Filter Specifications

Serial	Parameters	
1	Pass Band Frequency	DC ~ 4000MHz
2	Pass Band Insertion Loss	≤2.0dB
3	Pass Band VSWR	≤1.3:1
4	Stop Band Rejection	≥30dB @ 4350 ~ 4460MHz ≥50dB @ 4460 ~ 12000MHz
5	Impedance	50 Ohms
6	Power Handling	15W Max.
7	Connectors	SMA-Female
8	Surface Finish	Guide Oxygen or Painted Black
9	Temperature Range	-20°C ~ +60°C
10	Dimensions	35*23*10mm
11	Net weight	TBD
12	Configuration	As below (Tolerance: ±0.3mm)



Performance

