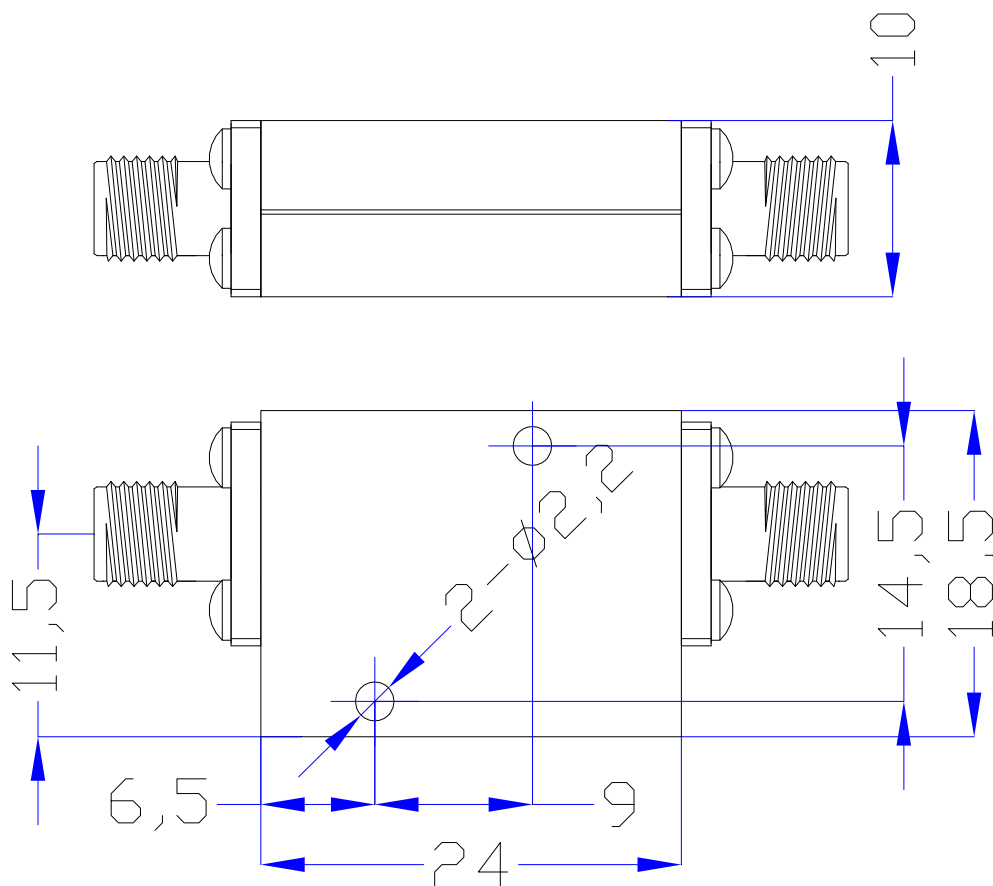


Suspended Stripline Low Pass Filter Specification

Serial	Parameters	
1	3dB Cut Off	10 GHz
2	1dB Pass Band	DC~9 GHz
3	VSWR	≤2.0:1
4	Stop Band	≥45dB @ 11.5~17 GHz
5	Average Power	15W
6	Surface Finish	Guide Oxygen or Black Paint
7	Port Connectors	SMA-Female
8	Configuration	As Below



Performance

9 Apr 2014 09:15:41

